

The full Range

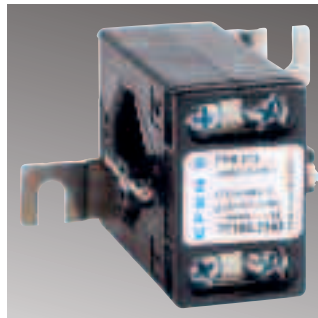
**Current transformer bloc
for NH Fuse-Switches,
vertical design, size 00**



**Clip-on current transformer
for NH Fuse-Switches,
vertical design, size 1 - 3**



**PSA 113, optimal for 60 mm
busbar systems**



**Tube type Current transformer
PSR 253**





Content

Low Voltage Current Transformers

Window type current transformer, series PSA	282
Tube Unit Current Transformer, series PSR	301
Primary wounds current transformer, series PSW	307
Summation current transformer, series PSS	310
Window Type Current Transformers, PTB approved	312
Current Transformer Set for NH Fuse-Switches, vertical design, size 1-3, series NTSL and R2000	333
Current Transformer Sets for NH Fuse-Switches, vertical design, size 00, series IN and N	334
Accessories	335
Technical data	see page 336

System

The complete range reaches from Window Type Current Transformers for power rails, tube-type transformers with wiring window, as well as wound- and summary current transformers. Specifically designed for the mounting behind NH Fuse-Switches and NH Fuse-Rails, EFEN offers current transformer sets and blocs for single or three-phase measurement.

Features

The EFEN portfolio stands out through the high quality of its materials and a wide range of accessories. Modern production facilities guarantee a high standard of calibrated CTs and CTs suitable for calibration.



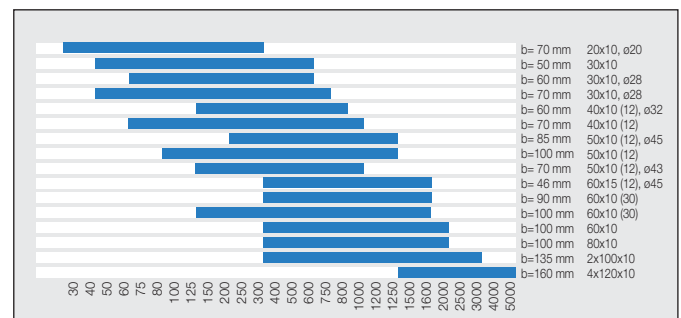
**Primary wounds CT
PSW 55**



**Summation CT
PSW 70**



Product overview



Low Voltage Current Transformers

For more information
see page **336**



77101-1122

PSA 213 Window Type Current Transformer

Primary Busbar 20 x 10 mm, accuracy class 0,5

Primary current in Amps	Secondary current in Amps	VA	accuracy class	Order-No.	PU	PG	Price €/pc.
75	5	1,5	0,5	77101-1122	3	NW 1	36,40
80	5	1,5	0,5	77101-1222	3	NW 1	36,40
100	5	2,5	0,5	77101-1332	3	NW 1	36,40
125	5	5	0,5	77101-1432	3	NW 1	36,40
150	5	2,5	0,5	77101-1532	3	NW 1	36,40
200	5	5	0,5	77101-1642	3	NW 1	36,40
250	5	5	0,5	77101-1742	3	NW 1	36,40
300	5	5	0,5	77101-1842	3	NW 1	36,40
75	1	1,5	0,5	77101-6122	3	NW 1	47,10
80	1	1,5	0,5	77101-6222	3	NW 1	47,10
100	1	2,5	0,5	77101-6332	3	NW 1	41,10
125	1	2,5	0,5	77101-6432	3	NW 1	47,10
150	1	2,5	0,5	77101-6532	3	NW 1	47,10
200	1	5	0,5	77101-6642	3	NW 1	47,10
250	1	5	0,5	77101-6742	3	NW 1	47,10
300	1	5	0,5	77101-6842	3	NW 1	47,10



77101-1333

PSA 213 Window Type Current Transformer

Primary Busbar 20 x 10 mm, accuracy class 1

Primary current in Amps	Secondary current in Amps	VA	accuracy class	Order-No.	PU	PG	Price €/pc.
50	5	1,5	1	77101-0923	3	NW 1	25,75
60	5	2,5	1	77101-1033	3	NW 1	25,75
75	5	2,5	1	77101-1133	3	NW 1	25,75
80	5	2,5	1	77101-1233	3	NW 1	25,75
100	5	2,5	1	77101-1333	3	NW 1	25,75
125	5	5	1	77101-1443	3	NW 1	25,75
150	5	5	1	77101-1543	3	NW 1	25,75
200	5	5	1	77101-1643	3	NW 1	25,75
200	5	10	1	77101-1663	3	NW 1	25,75
250	5	5	1	77101-1743	3	NW 1	25,75
250	5	10	1	77101-1763	3	NW 1	25,75
300	5	10	1	77101-1863	3	NW 1	25,75
50	1	1,5	1	77101-5923	3	NW 1	36,40
60	1	1,5	1	77101-6023	3	NW 1	36,40
75	1	2,5	1	77101-6133	3	NW 1	36,45
100	1	2,5	1	77101-6333	3	NW 1	36,45
125	1	5	1	77101-6443	3	NW 1	36,45
150	1	5	1	77101-6543	3	NW 1	36,45
200	1	10	1	77101-6663	3	NW 1	36,45
250	1	10	1	77101-6763	3	NW 1	36,45
300	1	5	1	77101-6843	3	NW 1	36,45
300	1	10	1	77101-6863	3	NW 1	49,00

Low Voltage Current Transformers

For more information
see page **336**



77102-1342

PSA 215 Window Type Current Transformer

Primary Busbar 20 x 10 mm, accuracy class 0,5

Primary current in Amps	Secondary current in Amps	VA	accuracy class	Order-No.	PU	PG	Price €/pc.
100	5	5	0,5	77102-1342	3	NW 1	48,25
125	5	5	0,5	77102-1442	3	NW 1	48,25
150	5	5	0,5	77102-1542	3	NW 1	48,25
100	1	5	0,5	77102-6342	3	NW 1	39,00
125	1	5	0,5	77102-6442	3	NW 1	39,00
150	1	5	0,5	77102-6542	3	NW 1	39,00



77102-0813

PSA 215 Window Type Current Transformer

Primary Busbar 20 x 10 mm, accuracy class 1

Primary current in Amps	Secondary current in Amps	VA	accuracy class	Order-No.	PU	PG	Price €/pc.
40	5	1	1	77102-0813	3	NW 1	38,55
50	5	2,5	1	77102-0933	3	NW 1	38,55
75	5	5	1	77102-1143	3	NW 1	38,55
80	5	5	1	77102-1243	3	NW 1	38,55
100	5	10	1	77102-1363	3	NW 1	38,55
125	5	10	1	77102-1463	3	NW 1	38,55
150	5	10	1	77102-1563	3	NW 1	38,55
50	1	2,5	1	77102-5933	3	NW 1	37,55
75	1	5	1	77102-6143	3	NW 1	37,55
80	1	5	1	77102-6243	3	NW 1	39,00
100	1	10	1	77102-6363	3	NW 1	37,55
125	1	10	1	77102-6463	3	NW 1	39,00
150	1	10	1	77102-6563	3	NW 1	37,55

Low Voltage Current Transformers

For more information
see page **336**



77105-1532

PSA 113 Window Type Current Transformer

Primary Busbar 30 x 10 mm, accuracy class 0,5

Primary current in Amps	Secondary current in Amps	VA	accuracy class	Order-No.	PU	PG	Price €/pc.
150	5	2,5	0,5	77105-1532	3	NW 1	31,05
200	5	2,5	0,5	77105-1632	3	NW 1	31,05
250	5	2,5	0,5	77105-1732	3	NW 1	31,05
300	5	2,5	0,5	77105-1832	3	NW 1	31,05
400	5	2,5	0,5	77105-1932	3	NW 1	31,05
500	5	2,5	0,5	77105-2032	3	NW 1	32,15
600	5	2,5	0,5	77105-2132	3	NW 1	32,15
150	1	2,5	0,5	77105-6532	3	NW 1	36,50
200	1	2,5	0,5	77105-6632	3	NW 1	36,50
250	1	2,5	0,5	77105-6732	3	NW 1	32,15
300	1	2,5	0,5	77105-6832	3	NW 1	36,50
400	1	2,5	0,5	77105-6932	3	NW 1	39,00
500	1	2,5	0,5	77105-7032	3	NW 1	36,50
600	1	2,5	0,5	77105-7132	3	NW 1	36,50



77105-2143

PSA 113 Window Type Current Transformer

Primary Busbar 30 x 10 mm, accuracy class 1

Primary current in Amps	Secondary current in Amps	VA	accuracy class	Order-No.	PU	PG	Price €/pc.
60	5	1	1	77105-1013	3	NW 1	24,65
75	5	1,5	1	77105-1123	3	NW 1	24,65
100	5	2,5	1	77105-1333	3	NW 1	24,62
125	5	2,5	1	77105-1433	3	NW 1	24,65
150	5	2,5	1	77105-1533	3	NW 1	24,65
200	5	2,5	1	77105-1633	3	NW 1	24,65
200	5	5	1	77105-1643	3	NW 1	24,65
250	5	2,5	1	77105-1733	3	NW 1	24,65
250	5	5	1	77105-1743	3	NW 1	24,65
300	5	2,5	1	77105-1833	3	NW 1	24,65
300	5	5	1	77105-1843	3	NW 1	24,65
400	5	2,5	1	77105-1933	3	NW 1	24,65
400	5	5	1	77105-1943	3	NW 1	24,65
500	5	5	1	77105-2043	3	NW 1	25,75
500	5	7,5	1	77105-2053	3	NW 1	25,75
600	5	5	1	77105-2143	3	NW 1	25,75
600	5	7,5	1	77105-2153	3	NW 1	32,15
60	1	1	1	77105-6013	3	NW 1	32,15
75	1	1,5	1	77105-6123	3	NW 1	33,00
80	1	2,5	1	77105-6233	3	NW 1	33,00
100	1	2,5	1	77105-6333	3	NW 1	32,15
125	1	2,5	1	77105-6433	3	NW 1	32,15
150	1	2,5	1	77105-6533	3	NW 1	32,15
200	1	2,5	1	77105-6633	3	NW 1	32,15
200	1	5	1	77105-6643	3	NW 1	32,15
250	1	2,5	1	77105-6733	3	NW 1	32,15
250	1	5	1	77105-6743	3	NW 1	32,15
300	1	2,5	1	77105-6833	3	NW 1	32,15
300	1	5	1	77105-6843	3	NW 1	32,15
400	1	2,5	1	77105-6933	3	NW 1	32,15
400	1	5	1	77105-6943	3	NW 1	32,15
500	1	5	1	77105-7043	3	NW 1	32,15
600	1	5	1	77105-7143	3	NW 1	32,15
600	1	7,5	1	77105-7153	3	NW 1	39,00

Low Voltage Current Transformers

 For more information
see page **336**


77107-1332

PSA 115 Window Type Current Transformer

Primary Busbar 30 x 10 mm, accuracy class 0,5

Primary current in Amps	Secondary current in Amps	VA	accuracy class	Order-No.	PU	PG	Price €/pc.
100	5	2,5	0,5	77107-1332	3	NW 1	39,60
125	5	2,5	0,5	77107-1432	3	NW 1	39,60
150	5	5	0,5	77107-1542	3	NW 1	39,60
200	5	5	0,5	77107-1642	3	NW 1	39,60
250	5	5	0,5	77107-1742	3	NW 1	39,60
300	5	5	0,5	77107-1842	3	NW 1	39,60
400	5	10	0,5	77107-1962	3	NW 1	39,60
500	5	10	0,5	77107-2062	3	NW 1	39,60
600	5	10	0,5	77107-2162	3	NW 1	39,60
100	1	2,5	0,5	77107-6332	3	NW 1	46,90
125	1	2,5	0,5	77107-6432	3	NW 1	46,90
150	1	5	0,5	77107-6542	3	NW 1	46,90
200	1	5	0,5	77107-6642	3	NW 1	46,90
250	1	5	0,5	77107-6742	3	NW 1	46,90
300	1	5	0,5	77107-6842	3	NW 1	46,90
400	1	10	0,5	77107-6962	3	NW 1	46,90
500	1	10	0,5	77107-7062	3	NW 1	46,90
600	1	10	0,5	77107-7162	3	NW 1	46,90



77107-2163

PSA 115 Window Type Current Transformer

Primary Busbar 30 x 10 mm, accuracy class 1

Primary current in Amps	Secondary current in Amps	VA	accuracy class	Order-No.	PU	PG	Price €/pc.
50	5	1,5	1	77107-0923	3	NW 1	32,15
60	5	1,5	1	77107-1023	3	NW 1	32,15
75	5	2,5	1	77107-1133	3	NW 1	32,15
100	5	5	1	77107-1343	3	NW 1	32,15
125	5	5	1	77107-1443	3	NW 1	32,15
150	5	5	1	77107-1543	3	NW 1	32,15
200	5	5	1	77107-1643	3	NW 1	32,15
200	5	10	1	77107-1663	3	NW 1	32,15
250	5	10	1	77107-1763	3	NW 1	32,15
300	5	10	1	77107-1863	3	NW 1	32,15
400	5	10	1	77107-1963	3	NW 1	32,15
400	5	15	1	77107-1973	3	NW 1	32,15
500	5	10	1	77107-2063	3	NW 1	32,15
500	5	15	1	77107-2073	3	NW 1	32,15
600	5	10	1	77107-2163	3	NW 1	32,15
600	5	15	1	77107-2173	3	NW 1	37,50
50	1	1,5	1	77107-5923	3	NW 1	37,50
60	1	1,5	1	77107-6023	3	NW 1	37,50
75	1	2,5	1	77107-6133	3	NW 1	37,50
100	1	5	1	77107-6343	3	NW 1	37,50
125	1	5	1	77107-6443	3	NW 1	37,50
150	1	5	1	77107-6543	3	NW 1	37,50
200	1	5	1	77107-6643	3	NW 1	37,50
200	1	10	1	77107-6663	3	NW 1	37,50
250	1	10	1	77107-6763	3	NW 1	37,50
300	1	10	1	77107-6863	3	NW 1	37,50
400	1	10	1	77107-6963	3	NW 1	37,50
400	1	15	1	77107-6973	3	NW 1	37,50
500	1	10	1	77107-7063	3	NW 1	37,50
500	1	15	1	77107-7073	3	NW 1	37,50
600	1	10	1	77107-7163	3	NW 1	37,50
600	1	15	1	77107-7173	3	NW 1	37,50

NW

Low Voltage Current Transformers

 For more information
see page **336**


77106-1322

PSA 313 Window Type Current Transformer

Primary Busbar 30 x 10 mm, accuracy class 0,5

Primary current in Amps	Secondary current in Amps	VA	accuracy class	Order-No.	PU	PG	Price €/pc.
100	5	1,5	0,5	77106-1322	3	NW 1	33,20
150	5	2,5	0,5	77106-1532	3	NW 1	33,20
200	5	5	0,5	77106-1642	3	NW 1	33,20
250	5	5	0,5	77106-1742	3	NW 1	33,20
300	5	5	0,5	77106-1842	3	NW 1	33,20
300	5	10	0,5	77106-1862	3	NW 1	33,20
400	5	5	0,5	77106-1942	3	NW 1	33,20
400	5	10	0,5	77106-1962	3	NW 1	33,20
500	5	5	0,5	77106-2042	3	NW 1	33,20
500	5	10	0,5	77106-2062	3	NW 1	33,20
600	5	5	0,5	77106-2142	3	NW 1	33,20
600	5	10	0,5	77106-2162	3	NW 1	33,20
100	1	1,5	0,5	77106-6322	3	NW 1	33,20
150	1	2,5	0,5	77106-6532	3	NW 1	42,85
200	1	5	0,5	77106-6642	3	NW 1	42,85
250	1	5	0,5	77106-6742	3	NW 1	42,85
300	1	5	0,5	77106-6842	3	NW 1	42,85
400	1	5	0,5	77106-6942	3	NW 1	42,85
500	1	5	0,5	77106-7042	3	NW 1	42,85
600	1	5	0,5	77106-7142	3	NW 1	42,85



77106-1763

PSA 313 Window Type Current Transformer

Primary Busbar 30 x 10 mm, accuracy class 1

Primary current in Amps	Secondary current in Amps	VA	accuracy class	Order-No.	PU	PG	Price €/pc.
100	5	2,5	1	77106-1333	3	NW 1	24,65
125	5	2,5	1	77106-1533	3	NW 1	24,65
150	5	5	1	77106-1543	3	NW 1	24,65
200	5	5	1	77106-1643	3	NW 1	24,65
250	5	5	1	77106-1743	3	NW 1	25,80
250	5	10	1	77106-1763	3	NW 1	25,80
300	5	5	1	77106-1843	3	NW 1	25,80
300	5	10	1	77106-1863	3	NW 1	25,80
400	5	5	1	77106-1943	3	NW 1	25,80
400	5	10	1	77106-1963	3	NW 1	25,80
500	5	5	1	77106-2043	3	NW 1	25,80
500	5	10	1	77106-2063	3	NW 1	25,80
600	5	5	1	77106-2143	3	NW 1	25,80
600	5	10	1	77106-2163	3	NW 1	25,80
100	1	2,5	1	77106-6333	3	NW 1	34,30
150	1	2,5	1	77106-6533	3	NW 1	34,30
200	1	5	1	77106-6643	3	NW 1	34,30
200	1	5	1	77106-6643	3	NW 1	34,30
250	1	5	1	77106-6743	3	NW 1	34,30
250	1	10	1	77106-6763	3	NW 1	34,30
300	1	5	1	77106-6843	3	NW 1	34,30
300	1	10	1	77106-6863	3	NW 1	34,30
400	1	5	1	77106-6943	3	NW 1	34,30
400	1	10	1	77106-6963	3	NW 1	34,30
500	1	5	1	77106-7043	3	NW 1	34,30
500	1	10	1	77106-7063	3	NW 1	34,30
600	1	5	1	77106-7143	3	NW 1	34,30
600	1	10	1	77106-7163	3	NW 1	34,30

Low Voltage Current Transformers

For more information
see page **336**



77108-1132

PSA 315 Window Type Current Transformer

Primary Busbar 30 x 10 mm, accuracy class 0,5

Primary current in Amps	Secondary current in Amps	VA	accuracy class	Order-No.	PU	PG	Price €/pc.
75	5	2,5	0,5	77108-1132	3	NW 1	on demand
100	5	2,5	0,5	77108-1332	3	NW 1	47,90
150	5	5	0,5	77108-1542	3	NW 1	47,90
200	5	10	0,5	77108-1662	3	NW 1	47,90
250	5	10	0,5	77108-1762	3	NW 1	47,90
300	5	15	0,5	77108-1872	3	NW 1	47,90
400	5	15	0,5	77108-1972	3	NW 1	47,90
75	1	2,5	0,5	77108-6132	3	NW 1	55,00
100	1	2,5	0,5	77108-6332	3	NW 1	55,00
150	1	5	0,5	77108-6542	3	NW 1	55,00
200	1	10	0,5	77108-6662	3	NW 1	55,00
250	1	10	0,5	77108-6762	3	NW 1	58,00



77108-1343

PSA 315 Window Type Current Transformer

Primary Busbar 30 x 10 mm, accuracy class 1

Primary current in Amps	Secondary current in Amps	VA	accuracy class	Order-No.	PU	PG	Price €/pc.
75	5	2,5	1	77108-1133	3	NW 1	33,20
100	5	5	1	77108-1343	3	NW 1	33,20
150	5	5	1	77108-1543	3	NW 1	33,20
150	5	10	1	77108-1563	3	NW 1	33,20
200	5	10	1	77108-1663	3	NW 1	33,20
200	5	15	1	77108-1673	3	NW 1	33,20
250	5	10	1	77108-1763	3	NW 1	33,20
300	5	15	1	77108-1873	3	NW 1	33,20
400	5	15	1	77108-1973	3	NW 1	33,20
75	1	2,5	1	77108-6133	3	NW 1	50,00
100	1	5	1	77108-6343	3	NW 1	50,00
150	1	5	1	77108-6543	3	NW 1	50,00
200	1	10	1	77108-6663	3	NW 1	50,00
200	1	15	1	77108-6673	3	NW 1	53,00
250	1	10	1	77108-6763	3	NW 1	53,00
250	1	15	1	77108-6773	3	NW 1	53,00

Low Voltage Current Transformers

 For more information
see page **336**


77113-1632

PSA 413 Window Type Current Transformer Primary Busbar 40 x 12 mm, accuracy class 0,5

Primary current in Amps	Secondary current in Amps	VA	accuracy class	Order-No.	PU	PG	Price €/pc.
200	5	2,5	0,5	77113-1632	3	NW 1	34,30
250	5	2,5	0,5	77113-1732	3	NW 1	33,30
250	5	5	0,5	77113-1742	3	NW 1	33,30
300	5	5	0,5	77113-1842	3	NW 1	33,30
400	5	2,5	0,5	77113-1932	3	NW 1	33,30
400	5	5	0,5	77113-1942	3	NW 1	33,30
500	5	5	0,5	77113-2042	3	NW 1	33,30
600	5	5	0,5	77113-2142	3	NW 1	33,30
750	5	5	0,5	77113-2242	3	NW 1	33,30
800	5	5	0,5	77113-2342	3	NW 1	33,30
200	1	2,5	0,5	77113-6632	3	NW 1	33,30
250	1	2,5	0,5	77113-6732	3	NW 1	35,40
250	1	5	0,5	77113-6742	3	NW 1	35,40
300	1	5	0,5	77113-6842	3	NW 1	35,40
400	1	5	0,5	77113-6942	3	NW 1	35,40
500	1	5	0,5	77113-7042	3	NW 1	36,40
600	1	5	0,5	77113-7142	3	NW 1	36,40
750	1	5	0,5	77113-7242	3	NW 1	36,00
800	1	5	0,5	77113-7342	3	NW 1	36,40



77113-1633

PSA 413 Window Type Current Transformer Primary Busbar 40 x 12 mm, accuracy class 1

Primary current in Amps	Secondary current in Amps	VA	accuracy class	Order-No.	PU	PG	Price €/pc.
150	5	2,5	1	77113-1533	3	NW 1	27,90
200	5	2,5	1	77113-1633	3	NW 1	27,90
200	5	5	1	77113-1643	3	NW 1	27,90
250	5	5	1	77113-1733	3	NW 1	27,90
250	5	5	1	77113-1743	3	NW 1	27,90
300	5	5	1	77113-1843	3	NW 1	27,90
300	5	7,5	1	77113-1853	3	NW 1	27,90
400	5	5	1	77113-1943	3	NW 1	27,90
400	5	10	1	77113-1963	3	NW 1	27,90
500	5	5	1	77113-2043	3	NW 1	27,90
500	5	10	1	77113-2063	3	NW 1	27,90
600	5	5	1	77113-2143	3	NW 1	27,90
600	5	10	1	77113-2163	3	NW 1	27,90
750	5	5	1	77113-2243	3	NW 1	27,90
750	5	10	1	77113-2263	3	NW 1	27,90
800	5	5	1	77113-2343	3	NW 1	27,90
800	5	10	1	77113-2363	3	NW 1	27,90
150	1	2,5	1	77113-6533	3	NW 1	32,15
200	1	2,5	1	77113-6633	3	NW 1	32,15
200	1	4	1	77113-6643	3	NW 1	32,15
250	1	2,5	1	77113-6733	3	NW 1	32,15
250	1	5	1	77113-6743	3	NW 1	32,15
300	1	5	1	77113-6843	3	NW 1	32,15
300	1	7,5	1	77113-6853	3	NW 1	32,15
400	1	5	1	77113-6943	3	NW 1	32,15
400	1	10	1	77113-6963	3	NW 1	32,15
500	1	5	1	77113-7043	3	NW 1	32,15
500	1	10	1	77113-7063	3	NW 1	35,40
600	1	5	1	77113-7143	3	NW 1	35,40
600	1	10	1	77113-7163	3	NW 1	35,40
750	1	5	1	77113-7243	3	NW 1	36,00
750	1	10	1	77113-7263	3	NW 1	35,40
800	1	5	1	77113-7343	3	NW 1	36,40
800	1	10	1	77113-7363	3	NW 1	35,40

Low Voltage Current Transformers

For more information
see page **336**



PSA 415 Window Type Current Transformer

Primary Busbar 40 x 12 mm, accuracy class 0,5

Primary current in Amps	Secondary current in Amps	VA	accuracy class	Order-No.	PU	PG	Price €/pc.
600	5	10	0,5	77111-2162	3	NW 1	42,80
800	5	10	0,5	77111-2362	3	NW 1	45,70

77111-2163



PSA 415 Window Type Current Transformer

Primary Busbar 40 x 12 mm, accuracy class 1

Primary current in Amps	Secondary current in Amps	VA	accuracy class	Order-No.	PU	PG	Price €/pc.
150	5	5	1	77111-1543	3	NW 1	35,00
200	5	10	1	77111-1663	3	NW 1	35,00
250	5	10	1	77111-1763	3	NW 1	33,00
300	5	10	1	77111-1863	3	NW 1	33,00
150	1	5	1	77111-6543	3	NW 1	45,70
200	1	10	1	77111-6663	3	NW 1	45,70
250	1	10	1	77111-6763	3	NW 1	45,70
300	1	10	1	77111-6863	3	NW 1	45,70

77111-1543

Low Voltage Current Transformers

For more information
see page **336**



77115-1742

PSA 513 Window Type Current Transformer

Primary Busbar 50 x 12 mm, accuracy class 0,5

Primary current in Amps	Secondary current in Amps	VA	accuracy class	Order-No.	PU	PG	Price €/pc.
250	5	5	0,5	77115-1742	3	NW 1	37,50
300	5	5	0,5	77115-1842	3	NW 1	37,50
400	5	5	0,5	77115-1942	3	NW 1	37,50
500	5	5	0,5	77115-2042	3	NW 1	37,50
600	5	5	0,5	77115-2142	3	NW 1	37,50
600	5	10	0,5	77115-2162	3	NW 1	37,50
750	5	5	0,5	77115-2242	3	NW 1	37,50
750	5	10	0,5	77115-2262	3	NW 1	38,55
800	5	5	0,5	77115-2342	3	NW 1	35,40
800	5	10	0,5	77115-2362	3	NW 1	38,55
1000	5	5	0,5	77115-2442	3	NW 1	44,30
1000	5	10	0,5	77115-2462	3	NW 1	38,55
1000	5	15	0,5	77115-2472	3	NW 1	38,55
1200	5	10	0,5	77115-2562	3	NW 1	38,55
1200	5	15	0,5	77115-2572	3	NW 1	38,55
1250	5	10	0,5	77115-2662	3	NW 1	38,55
1250	5	15	0,5	77115-2672	3	NW 1	38,55
250	1	5	0,5	77115-6742	3	NW 1	42,80
300	1	5	0,5	77115-6842	3	NW 1	42,80
400	1	5	0,5	77115-6942	3	NW 1	42,80
500	1	5	0,5	77115-7042	3	NW 1	42,80
600	1	5	0,5	77115-7142	3	NW 1	42,80
750	1	5	0,5	77115-7242	3	NW 1	42,80
800	1	10	0,5	77115-7362	3	NW 1	42,80
1000	1	10	0,5	77115-7462	3	NW 1	42,80
1200	1	10	0,5	77115-7562	3	NW 1	42,80
1250	1	10	0,5	77115-7662	3	NW 1	42,80

Low Voltage Current Transformers

For more information
see page **336**



77115-2663

PSA 513 Window Type Current Transformer

Primary Busbar 50 x 12 mm, accuracy class 1

Primary current in Amps	Secondary current in Amps	VA	accuracy class	Order-No.	PU	PG	Price €/pc.
200	5	5	1	77115-1643	3	NW 1	33,30
250	5	5	1	77115-1743	3	NW 1	33,30
250	5	10	1	77115-1763	3	NW 1	33,30
300	5	5	1	77115-1843	3	NW 1	33,30
300	5	10	1	77115-1863	3	NW 1	33,30
400	5	5	1	77115-1943	3	NW 1	33,30
400	5	10	1	77115-1963	3	NW 1	33,30
400	5	15	1	77115-1973	3	NW 1	33,30
500	5	5	1	77115-2043	3	NW 1	33,30
500	5	10	1	77115-2063	3	NW 1	33,30
500	5	15	1	77115-2073	3	NW 1	33,30
600	5	5	1	77115-2143	3	NW 1	33,30
600	5	10	1	77115-2163	3	NW 1	33,30
600	5	15	1	77115-2173	3	NW 1	33,30
750	5	5	1	77115-2243	3	NW 1	33,30
750	5	10	1	77115-2263	3	NW 1	33,25
750	5	15	1	77115-2273	3	NW 1	33,25
800	5	5	1	77115-2343	3	NW 1	35,40
800	5	10	1	77115-2363	3	NW 1	35,40
800	5	15	1	77115-2373	3	NW 1	35,40
1000	5	5	1	77115-2443	3	NW 1	35,40
1000	5	10	1	77115-2463	3	NW 1	35,40
1000	5	15	1	77115-2473	3	NW 1	35,40
1200	5	5	1	77115-2543	3	NW 1	35,40
1200	5	10	1	77115-2563	3	NW 1	35,40
1200	5	15	1	77115-2573	3	NW 1	35,40
1250	5	5	1	77115-2643	3	NW 1	35,40
1250	5	10	1	77115-2663	3	NW 1	35,40
1250	5	15	1	77115-2673	3	NW 1	35,40
200	1	5	1	77115-6643	3	NW 1	39,60
250	1	5	1	77115-6743	3	NW 1	39,60
300	1	5	1	77115-6843	3	NW 1	39,60
300	1	10	1	77115-6863	3	NW 1	39,60
400	1	5	1	77115-6943	3	NW 1	39,60
400	1	10	1	77115-6963	3	NW 1	39,60
500	1	10	1	77115-7063	3	NW 1	39,60
600	1	5	1	77115-7143	3	NW 1	39,60
600	1	10	1	77115-7163	3	NW 1	39,60
750	1	5	1	77115-7243	3	NW 1	39,60
750	1	10	1	77115-7263	3	NW 1	39,60
800	1	5	1	77115-7343	3	NW 1	39,60
800	1	10	1	77115-7363	3	NW 1	39,60
1000	1	5	1	77115-7443	3	NW 1	39,60
1000	1	10	1	77115-7463	3	NW 1	39,60
1200	1	10	1	77115-7563	3	NW 1	39,60
1250	1	10	1	77115-7663	3	NW 1	39,60

Low Voltage Current Transformers

For more information
see page **336**



77119-1942

PSA 613 Window Type Current Transformer

Primary Busbar 60 x 10 mm, accuracy class 0,5

Primary current in Amps	Secondary current in Amps	VA	accuracy class	Order-No.	PU	PG	Price €/pc.
400	5	5	0,5	77119-1942	3	NW 1	40,65
400	5	10	0,5	77119-1962	3	NW 1	40,65
500	5	5	0,5	77119-2042	3	NW 1	40,65
500	5	10	0,5	77119-2062	3	NW 1	40,65
600	5	5	0,5	77119-2142	3	NW 1	41,70
600	5	10	0,5	77119-2162	3	NW 1	41,70
750	5	5	0,5	77119-2242	3	NW 1	41,70
750	5	10	0,5	77119-2262	3	NW 1	41,70
800	5	5	0,5	77119-2342	3	NW 1	41,70
800	5	10	0,5	77119-2362	3	NW 1	41,70
1000	5	5	0,5	77119-2442	3	NW 1	45,35
1000	5	10	0,5	77119-2462	3	NW 1	45,35
1200	5	5	0,5	77119-2542	3	NW 1	45,35
1200	5	10	0,5	77119-2562	3	NW 1	45,35
1250	5	5	0,5	77119-2642	3	NW 1	45,35
1250	5	10	0,5	77119-2662	3	NW 1	45,35
1500	5	5	0,5	77119-2742	3	NW 1	45,35
1500	5	10	0,5	77119-2762	3	NW 1	55,25
1600	5	5	0,5	77119-2842	3	NW 1	55,25
1600	5	10	0,5	77119-2862	3	NW 1	55,25
400	1	5	0,5	77119-6942	3	NW 1	59,50
500	1	5	0,5	77119-7042	3	NW 1	59,50
600	1	5	0,5	77119-7142	3	NW 1	59,50
750	1	5	0,5	77119-7242	3	NW 1	59,50
800	1	5	0,5	77119-7342	3	NW 1	59,50
1000	1	5	0,5	77119-7442	3	NW 1	59,50
1200	1	5	0,5	77119-7542	3	NW 1	59,50
1250	1	5	0,5	77119-7642	3	NW 1	59,50
1500	1	5	0,5	77119-7742	3	NW 1	59,50
1600	1	5	0,5	77119-7842	3	NW 1	59,50

Low Voltage Current Transformers

For more information
see page **336**



77119-2773

PSA 613 Window Type Current Transformer

Primary Busbar 60 x 10 mm, accuracy class 1

Primary current in Amps	Secondary current in Amps	VA	accuracy class	Order-No.	PU	PG	Price €/pc.
400	5	5	1	77119-1943	3	NW 1	32,15
400	5	10	1	77119-1963	3	NW 1	32,15
400	5	15	1	77119-1973	3	NW 1	32,15
500	5	5	1	77119-2043	3	NW 1	32,15
500	5	10	1	77119-2063	3	NW 1	32,15
500	5	15	1	77119-2073	3	NW 1	32,15
600	5	5	1	77119-2143	3	NW 1	33,25
600	5	10	1	77119-2163	3	NW 1	33,20
600	5	15	1	77119-2173	3	NW 1	33,20
750	5	10	1	77119-2263	3	NW 1	33,20
750	5	15	1	77119-2273	3	NW 1	33,20
800	5	5	1	77119-2343	3	NW 1	33,25
800	5	10	1	77119-2363	3	NW 1	33,20
800	5	15	1	77119-2373	3	NW 1	33,20
1000	5	5	1	77119-2443	3	NW 1	35,35
1000	5	10	1	77119-2463	3	NW 1	35,40
1000	5	15	1	77119-2473	3	NW 1	35,40
1200	5	5	1	77119-2543	3	NW 1	35,35
1200	5	10	1	77119-2563	3	NW 1	35,40
1200	5	15	1	77119-2573	3	NW 1	35,40
1250	5	5	1	77119-2643	3	NW 1	35,35
1250	5	10	1	77119-2663	3	NW 1	35,40
1250	5	15	1	77119-2673	3	NW 1	35,40
1500	5	5	1	77119-2743	3	NW 1	38,55
1500	5	10	1	77119-2763	3	NW 1	38,55
1500	5	15	1	77119-2773	3	NW 1	38,55
1600	5	5	1	77119-2843	3	NW 1	38,55
1600	5	10	1	77119-2863	3	NW 1	38,55
1600	5	15	1	77119-2873	3	NW 1	38,55
400	1	10	1	77119-6963	3	NW 1	39,60
500	1	10	1	77119-7063	3	NW 1	39,60
600	1	10	1	77119-7163	3	NW 1	39,60
750	1	10	1	77119-7263	3	NW 1	39,60
800	1	10	1	77119-7363	3	NW 1	39,60
1000	1	10	1	77119-7463	3	NW 1	42,85
1200	1	10	1	77119-7563	3	NW 1	42,85
1250	1	10	1	77119-7663	3	NW 1	42,85
1500	1	10	1	77119-7763	3	NW 1	47,10
1600	1	10	1	77119-7863	3	NW 1	47,10

Low Voltage Current Transformers

For more information
see page **336**



77121-1942

PSA 633 Window Type Current Transformer

Primary Busbar 60 x 30 mm, accuracy class 0,5

Primary current in Amps	Secondary current in Amps	VA	accuracy class	Order-No.	PU	PG	Price €/pc.
800	5	10	0,5	77121-2362	3	NW 1	59,50
1000	5	10	0,5	77121-2462	3	NW 1	59,50
1200	5	10	0,5	77121-2562	3	NW 1	59,50
1250	5	10	0,5	77121-2662	3	NW 1	59,50
1500	5	10	0,5	77121-2762	3	NW 1	59,50
1600	5	10	0,5	77121-2862	3	NW 1	59,50
800	1	10	0,5	77121-7362	3	NW 1	59,50
1000	1	10	0,5	77121-7462	3	NW 1	59,50
1200	1	10	0,5	77121-7562	3	NW 1	59,50
1250	1	10	0,5	77121-7662	3	NW 1	62,50
1500	1	10	0,5	77121-7762	3	NW 1	62,50
1600	1	10	0,5	77121-7862	3	NW 1	62,50



77121-2473

PSA 633 Window Type Current Transformer

Primary Busbar 60 x 30 mm, accuracy class 1

Primary current in Amps	Secondary current in Amps	VA	accuracy class	Order-No.	PU	PG	Price €/pc.
800	5	10	1	77121-2363	3	NW 1	52,50
800	5	15	1	77121-2373	3	NW 1	52,50
1000	5	10	1	77121-2463	3	NW 1	52,50
1000	5	15	1	77121-2473	3	NW 1	52,50
1200	5	10	1	77121-2563	3	NW 1	52,50
1200	5	15	1	77121-2573	3	NW 1	52,50
1250	5	10	1	77121-2663	3	NW 1	52,50
1250	5	15	1	77121-2673	3	NW 1	52,50
1500	5	10	1	77121-2763	3	NW 1	52,50
1500	5	15	1	77121-2773	3	NW 1	52,50
1600	5	10	1	77121-2863	3	NW 1	52,50
1600	5	15	1	77121-2873	3	NW 1	52,50
800	1	10	1	77121-7363	3	NW 1	55,20
800	1	15	1	77121-7373	3	NW 1	55,20
1000	1	10	1	77121-7463	3	NW 1	55,20
1000	1	15	1	77121-7473	3	NW 1	55,20
1200	1	10	1	77121-7563	3	NW 1	55,20
1200	1	15	1	77121-7573	3	NW 1	59,50
1250	1	10	1	77121-7663	3	NW 1	59,50
1250	1	15	1	77121-7673	3	NW 1	59,50
1500	1	10	1	77121-7763	3	NW 1	59,50
1500	1	15	1	77121-7773	3	NW 1	59,50
1600	1	10	1	77121-7863	3	NW 1	59,50
1600	1	15	1	77121-7873	3	NW 1	59,50

Low Voltage Current Transformers

For more information
see page **336**



77124-1942

PSA 814 Window Type Current Transformer

Primary Busbar 80 x 10 (60 x 30) mm, accuracy class 0,5

Primary current in Amps	Secondary current in Amps	VA	accuracy class	Order-No.	PU	PG	Price €/pc.
400	5	5	0,5	77124-1942	3	NW 1	55,20
500	5	5	0,5	77124-2042	3	NW 1	55,20
500	5	10	0,5	77124-2062	3	NW 1	55,20
600	5	10	0,5	77124-2162	3	NW 1	55,20
600	5	15	0,5	77124-2172	3	NW 1	55,20
800	5	10	0,5	77124-2362	3	NW 1	57,30
800	5	15	0,5	77124-2372	3	NW 1	57,30
1000	5	10	0,5	77124-2462	3	NW 1	57,30
1000	5	15	0,5	77124-2472	3	NW 1	57,30
1200	5	10	0,5	77124-2562	3	NW 1	57,30
1200	5	15	0,5	77124-2572	3	NW 1	57,30
1250	5	10	0,5	77124-2662	3	NW 1	60,50
1250	5	15	0,5	77124-2672	3	NW 1	60,50
1500	5	10	0,5	77124-2762	3	NW 1	64,60
1500	5	15	0,5	77124-2772	3	NW 1	60,45
1600	5	10	0,5	77124-2862	3	NW 1	60,45
1600	5	15	0,5	77124-2872	3	NW 1	60,45
2000	5	10	0,5	77124-2962	3	NW 1	62,50
2000	5	15	0,5	77124-2972	3	NW 1	62,50
400	1	10	0,5	77124-6962	3	NW 1	62,50
500	1	10	0,5	77124-7062	3	NW 1	62,50
600	1	10	0,5	77124-7162	3	NW 1	62,50
800	1	10	0,5	77124-7362	3	NW 1	62,50
1000	1	10	0,5	77124-7462	3	NW 1	62,50
1200	1	10	0,5	77124-7562	3	NW 1	62,50
1250	1	10	0,5	77124-7662	3	NW 1	62,50
1500	1	10	0,5	77124-7762	3	NW 1	65,65
1600	1	10	0,5	77124-7862	3	NW 1	65,65
2000	1	10	0,5	77124-7962	3	NW 1	65,65

Low Voltage Current Transformers

For more information
see page **336**



77124-2963

PSA 814 Window Type Current Transformer

Primary Busbar 80 x 10 (60 x 30) mm, accuracy class 1

Primary current in Amps	Secondary current in Amps	VA	accuracy class	Order-No.	PU	PG	Price €/pc.
400	5	5	1	77124-1943	3	NW 1	45,60
400	5	10	1	77124-1963	3	NW 1	45,60
500	5	5	1	77124-2043	3	NW 1	45,60
500	5	10	1	77124-2063	3	NW 1	45,60
600	5	10	1	77124-2163	3	NW 1	45,60
600	5	15	1	77124-2173	3	NW 1	45,60
800	5	10	1	77124-2363	3	NW 1	49,30
800	5	15	1	77124-2373	3	NW 1	49,30
1000	5	10	1	77124-2463	3	NW 1	49,30
1000	5	15	1	77124-2473	3	NW 1	49,30
1200	5	10	1	77124-2563	3	NW 1	49,30
1200	5	15	1	77124-2573	3	NW 1	49,30
1250	5	10	1	77124-2663	3	NW 1	49,30
1250	5	15	1	77124-2673	3	NW 1	49,30
1500	5	10	1	77124-2763	3	NW 1	52,50
1500	5	15	1	77124-2773	3	NW 1	52,50
1600	5	10	1	77124-2863	3	NW 1	52,50
2000	5	10	1	77124-2963	3	NW 1	55,75
400	1	10	1	77124-6963	3	NW 1	55,75
500	1	10	1	77124-7063	3	NW 1	55,75
600	1	10	1	77124-7163	3	NW 1	55,75
800	1	10	1	77124-7363	3	NW 1	55,75
1000	1	10	1	77124-7463	3	NW 1	55,75
1200	1	10	1	77124-7563	3	NW 1	55,75
1250	1	10	1	77124-7663	3	NW 1	56,80
1500	1	10	1	77124-7763	3	NW 1	56,80
1600	1	10	1	77124-7863	3	NW 1	on demand
2000	1	10	1	77124-7963	3	NW 1	57,80

Low Voltage Current Transformers

For more information
see page **336**



77125-2572

PSA 1034 Window Type Current Transformer

Primary Busbar 2 x 100 x 10 (80 x 50) mm, accuracy class 0,5

Primary current in Amps	Secondary current in Amps	VA	accuracy class	Order-No.	PU	PG	Price €/pc.
400	5	10	0,5	77125-1962	1	NW 1	65,65
500	5	10	0,5	77125-2062	1	NW 1	65,65
600	5	10	0,5	77125-2162	1	NW 1	75,00
800	5	10	0,5	77125-2362	1	NW 1	75,00
1000	5	10	0,5	77125-2462	1	NW 1	75,00
1000	5	15	0,5	77125-2472	1	NW 1	75,00
1200	5	10	0,5	77125-2562	1	NW 1	75,00
1200	5	15	0,5	77125-2572	1	NW 1	75,00
1250	5	10	0,5	77125-2662	1	NW 1	75,00
1250	5	15	0,5	77125-2672	1	NW 1	75,00
1500	5	10	0,5	77125-2762	1	NW 1	76,10
1500	5	15	0,5	77125-2772	1	NW 1	76,10
1600	5	10	0,5	77125-2862	1	NW 1	76,10
1600	5	15	0,5	77125-2872	1	NW 1	76,10
2000	5	10	0,5	77125-2962	1	NW 1	76,10
2000	5	15	0,5	77125-2972	1	NW 1	76,10
2500	5	10	0,5	77125-3162	1	NW 1	87,55
2500	5	15	0,5	77125-3172	1	NW 1	92,30
3000	5	10	0,5	77125-3262	1	NW 1	92,30
3000	5	15	0,5	77125-3272	1	NW 1	92,30
4000	5	10	0,5	77125-3362	1	NW 1	92,30
4000	5	15	0,5	77125-3372	1	NW 1	92,30
400	1	10	0,5	77125-6962	1	NW 1	92,30
500	1	10	0,5	77125-7062	1	NW 1	92,30
600	1	10	0,5	77125-7162	1	NW 1	92,30
800	1	10	0,5	77125-7362	1	NW 1	92,30
1000	1	10	0,5	77125-7462	1	NW 1	92,30
1200	1	10	0,5	77125-7562	1	NW 1	92,30
1200	1	15	0,5	77125-7572	1	NW 1	92,30
1250	1	10	0,5	77125-7662	1	NW 1	95,00
1250	1	15	0,5	77125-7672	1	NW 1	95,00
1500	1	10	0,5	77125-7762	1	NW 1	95,00
1500	1	15	0,5	77125-7772	1	NW 1	95,00
1600	1	10	0,5	77125-7862	1	NW 1	95,00
1600	1	15	0,5	77125-7872	1	NW 1	95,00
2000	1	10	0,5	77125-7962	1	NW 1	95,00
2000	1	15	0,5	77125-7972	1	NW 1	97,45
2500	1	10	0,5	77125-8162	1	NW 1	141,00
2500	1	15	0,5	77125-8172	1	NW 1	159,00
3000	1	10	0,5	77125-8262	1	NW 1	159,00
3000	1	15	0,5	77125-8272	1	NW 1	165,00
4000	1	10	0,5	77125-8362	1	NW 1	165,00
4000	1	15	0,5	77125-8372	1	NW 1	165,00

NW

Low Voltage Current Transformers

For more information
see page **336**



77125-2573

PSA 1034 Window Type Current Transformer

Primary Busbar 2 x 100 x 10 (80 x 50) mm, accuracy class 1

Primary current in Amps	Secondary current in Amps	VA	accuracy class	Order-No.	PU	PG	Price €/pc.
400	5	10	1	77125-1963	1	NW 1	70,75
500	5	10	1	77125-2063	1	NW 1	70,75
600	5	10	1	77125-2163	1	NW 1	70,75
1000	5	30	1	77125-2483	1	NW 1	70,75
1200	5	10	1	77125-2563	1	NW 1	70,75
1200	5	15	1	77125-2573	1	NW 1	70,75
1200	5	30	1	77125-2583	1	NW 1	70,75
1250	5	30	1	77125-2683	1	NW 1	70,75
1500	5	30	1	77125-2783	1	NW 1	70,75
1600	5	30	1	77125-2883	1	NW 1	71,80
2000	5	30	1	77125-2983	1	NW 1	71,80
2500	5	30	1	77125-3183	1	NW 1	83,60
3000	5	30	1	77125-3283	1	NW 1	83,60
4000	5	10	1	77125-3363	1	NW 1	83,60
4000	5	15	1	77125-3373	1	NW 1	79,35
400	1	10	1	77125-6963	1	NW 1	79,30
500	1	10	1	77125-7063	1	NW 1	79,30
600	1	10	1	77125-7163	1	NW 1	79,30
800	1	10	1	77125-7363	1	NW 1	79,30
800	1	15	1	77125-7373	1	NW 1	79,30
1000	1	10	1	77125-7463	1	NW 1	79,30
1000	1	15	1	77125-7473	1	NW 1	79,30
1200	1	10	1	77125-7563	1	NW 1	79,30
1200	1	15	1	77125-7573	1	NW 1	79,30
1250	1	10	1	77125-7663	1	NW 1	79,30
1250	1	15	1	77125-7673	1	NW 1	97,40
1500	1	10	1	77125-7763	1	NW 1	92,10
1500	1	15	1	77125-7773	1	NW 1	92,10
1600	1	10	1	77125-7863	1	NW 1	92,10
1600	1	15	1	77125-7873	1	NW 1	92,10
2000	1	10	1	77125-7963	1	NW 1	104,00
2000	1	15	1	77125-7973	1	NW 1	104,00
2500	1	10	1	77125-8163	1	NW 1	141,00
2500	1	15	1	77125-8173	1	NW 1	141,00
3000	1	10	1	77125-8263	1	NW 1	159,00
3000	1	15	1	77125-8273	1	NW 1	159,00
4000	1	10	1	77125-8363	1	NW 1	159,00
4000	1	15	1	77125-8373	1	NW 1	159,00

Low Voltage Current Transformers

For more information
see page **336**



77127-2972

PSA 1254 Window Type Current Transformer

Primary Busbar 3 x 120 x 10 mm, accuracy class 0,5

Primary current in Amps	Secondary current in Amps	VA	accuracy class	Order-No.	PU	PG	Price €/pc.
1000	5	10	0,5	77127-2462	1	NW 1	115,00
1200	5	10	0,5	77127-2562	1	NW 1	115,00
1250	5	10	0,5	77127-2662	1	NW 1	115,00
1500	5	10	0,5	77127-2762	1	NW 1	115,00
1600	5	10	0,5	77127-2862	1	NW 1	115,00
2000	5	10	0,5	77127-2962	1	NW 1	115,00
2500	5	10	0,5	77127-3162	1	NW 1	115,00
3000	5	10	0,5	77127-3262	1	NW 1	115,00
4000	5	10	0,5	77127-3362	1	NW 1	115,00
5000	5	10	0,5	77127-3462	1	NW 1	120,00
1000	1	10	0,5	77127-7462	1	NW 1	120,00
1200	1	10	0,5	77127-7562	1	NW 1	120,00
1250	1	10	0,5	77127-7662	1	NW 1	120,00
1500	1	10	0,5	77127-7762	1	NW 1	120,00
1600	1	10	0,5	77127-7862	1	NW 1	120,00
2000	1	10	0,5	77127-7962	1	NW 1	155,00
2500	1	10	0,5	77127-8162	1	NW 1	165,00
3000	1	10	0,5	77127-8262	1	NW 1	225,00
4000	1	10	0,5	77127-8362	1	NW 1	240,00
5000	1	10	0,5	77127-8462	1	NW 1	230,00



77127-2973

PSA 1254 Window Type Current Transformer

Primary Busbar 3 x 120 x 10 mm, accuracy class 1

Primary current in Amps	Secondary current in Amps	VA	accuracy class	Order-No.	PU	PG	Price €/pc.
800	5	15	1	77127-2373	1	NW 1	105,00
1000	5	15	1	77127-2473	1	NW 1	105,00
1200	5	15	1	77127-2573	1	NW 1	105,00
1250	5	15	1	77127-2673	1	NW 1	105,00
1500	5	15	1	77127-2773	1	NW 1	105,00
1600	5	15	1	77127-2873	1	NW 1	105,00
2000	5	15	1	77127-2973	1	NW 1	105,00
2500	5	15	1	77127-3173	1	NW 1	105,00
3000	5	15	1	77127-3273	1	NW 1	105,00
4000	5	15	1	77127-3373	1	NW 1	117,00
800	1	15	1	77127-7373	1	NW 1	117,00
1000	1	15	1	77127-7473	1	NW 1	117,00
1200	1	15	1	77127-7573	1	NW 1	117,00
1250	1	15	1	77127-7673	1	NW 1	117,00
1500	1	15	1	77127-7773	1	NW 1	117,00
1600	1	15	1	77127-7873	1	NW 1	117,00
2000	1	15	1	77127-7973	1	NW 1	148,00
2500	1	15	1	77127-8173	1	NW 1	165,00
3000	1	15	1	77127-8273	1	NW 1	225,00
4000	1	15	1	77127-8373	1	NW 1	230,00
5000	1	15	1	77127-8473	1	NW 1	230,00

Low Voltage Current Transformers

For more information
see page **336**



77128-2862

PSA 1274 Window Type Current Transformer

Primary Busbar 4 x 120 x 10 mm, accuracy class 0,5

Primary current in Amps	Secondary current in Amps	VA	accuracy class	Order-No.	PU	PG	Price €/pc.
1600	5	10	0,5	77128-2862	1	NW 1	142,00
2000	5	10	0,5	77128-2962	1	NW 1	142,00
2500	5	10	0,5	77128-3162	1	NW 1	142,00
3000	5	10	0,5	77128-3262	1	NW 1	142,00
4000	5	10	0,5	77128-3362	1	NW 1	142,00
1600	1	10	0,5	77128-7862	1	NW 1	150,00
2000	1	10	0,5	77128-7962	1	NW 1	165,00
2500	1	10	0,5	77128-8162	1	NW 1	165,00
3000	1	10	0,5	77128-8262	1	NW 1	142,00
4000	1	10	0,5	77128-8362	1	NW 1	180,00



77128-2863

PSA 1274 Window Type Current Transformer

Primary Busbar 4 x 120 x 10 mm, accuracy class 1

Primary current in Amps	Secondary current in Amps	VA	accuracy class	Order-No.	PU	PG	Price €/pc.
1600	5	15	1	77128-2873	1	NW 1	115,00
2000	5	15	1	77128-2973	1	NW 1	115,00
2500	5	15	1	77128-3173	1	NW 1	115,00
3000	5	15	1	77128-3273	1	NW 1	115,00
4000	5	10	1	77128-3363	1	NW 1	115,00
4000	5	15	1	77128-3373	1	NW 1	115,00
5000	5	15	1	77128-3473	1	NW 1	142,00
1600	1	15	1	77128-7873	1	NW 1	150,00
2000	1	15	1	77128-7973	1	NW 1	150,00
2500	1	15	1	77128-8173	1	NW 1	115,00
3000	1	15	1	77128-8273	1	NW 1	170,00
4000	1	15	1	77128-8373	1	NW 1	170,00
5000	1	15	1	77128-8473	1	NW 1	170,00

Low Voltage Current Transformers

For more information
see page **336**



77251-1322

PSR 200 Tube Unit Current Transformer diameter 21 mm, accuracy class 0,5

Primary current in Amps	Secondary current in Amps	VA	accuracy class	Order-No.	PU	PG	Price €/pc.
100	5	1,5	0,5	77251-1322	3	NW 1	50,00
125	5	1,5	0,5	77251-1422	3	NW 1	50,00
150	5	1,5	0,5	77251-1522	3	NW 1	50,00
200	5	2,5	0,5	77251-1632	3	NW 1	34,50
250	5	5	0,5	77251-1742	3	NW 1	34,50
300	5	5	0,5	77251-1842	3	NW 1	34,50
100	1	1,5	0,5	77251-6322	3	NW 1	29,85
125	1	1,5	0,5	77251-6422	3	NW 1	33,50
150	1	1,5	0,5	77251-6522	3	NW 1	33,50
200	1	2,5	0,5	77251-6632	3	NW 1	33,50
250	1	5	0,5	77251-6742	3	NW 1	33,50
300	1	5	0,5	77251-6842	3	NW 1	33,50



77251-0913

PSR 200 Tube Unit Current Transformer diameter 21 mm, accuracy class 1

Primary current in Amps	Secondary current in Amps	VA	accuracy class	Order-No.	PU	PG	Price €/pc.
50	5	1	1	77251-0913	3	NW 1	25,75
60	5	1,5	1	77251-1023	3	NW 1	25,75
75	5	2	1	77251-1193	3	NW 1	25,75
80	5	1,5	1	77251-1223	3	NW 1	25,75
80	5	2	1	77251-1293	3	NW 1	25,75
100	5	2,5	1	77251-1333	3	NW 1	25,75
125	5	2,5	1	77251-1433	3	NW 1	25,75
150	5	2,5	1	77251-1533	3	NW 1	31,05
200	5	5	1	77251-1643	3	NW 1	31,05
250	5	5	1	77251-1733	3	NW 1	31,05
250	5	5	1	77251-1743	3	NW 1	31,05
300	5	5	1	77251-1843	3	NW 1	31,05
50	1	1	1	77251-5913	3	NW 1	25,75
60	1	1	1	77251-6013	3	NW 1	25,75
60	1	1,5	1	77251-6023	3	NW 1	25,75
75	1	2	1	77251-6193	3	NW 1	25,75
80	1	2	1	77251-6293	3	NW 1	25,75
100	1	2,5	1	77251-6333	3	NW 1	31,05
125	1	2,5	1	77251-6433	3	NW 1	31,05
150	1	2,5	1	77251-6533	3	NW 1	31,05
200	1	2,5	1	77251-6633	3	NW 1	31,05
250	1	5	1	77251-6743	3	NW 1	31,05
300	1	5	1	77251-6843	3	NW 1	31,05

Low Voltage Current Transformers

For more information
see page **336**



77252-1322

PSR 200.1 Tube Unit Current Transformer diameter 21 mm, accuracy class 0,5

Primary current in Amps	Secondary current in Amps	VA	accuracy class	Order-No.	PU	PG	Price €/pc.
100	5	1,5	0,5	77252-1322	3	NW 1	31,05
125	5	1,5	0,5	77252-1422	3	NW 1	33,50
150	5	2,5	0,5	77252-1532	3	NW 1	33,50
200	5	2,5	0,5	77252-1632	3	NW 1	33,50
250	5	5	0,5	77252-1742	3	NW 1	33,50
300	5	5	0,5	77252-1842	3	NW 1	33,50
100	1	1,5	0,5	77252-6322	3	NW 1	33,50
125	1	1,5	0,5	77252-6422	3	NW 1	33,50
150	1	2,5	0,5	77252-6532	3	NW 1	33,50
200	1	2,5	0,5	77252-6632	3	NW 1	33,50
250	1	5	0,5	77252-6742	3	NW 1	33,50
300	1	5	0,5	77252-6842	3	NW 1	33,50



77252-0913

PSR 200.1 Tube Unit Current Transformer diameter 21 mm, accuracy class 1

Primary current in Amps	Secondary current in Amps	VA	accuracy class	Order-No.	PU	PG	Price €/pc.
50	5	1	1	77252-0913	3	NW 1	25,75
60	5	1,5	1	77252-1023	3	NW 1	25,75
75	5	2	1	77252-1193	3	NW 1	31,05
80	5	2	1	77252-1293	3	NW 1	31,05
100	5	2,5	1	77252-1333	3	NW 1	25,75
125	5	2,5	1	77252-1433	3	NW 1	25,75
150	5	2,5	1	77252-1533	3	NW 1	25,75
200	5	5	1	77252-1643	3	NW 1	25,75
250	5	5	1	77252-1743	3	NW 1	25,75
300	5	5	1	77252-1843	3	NW 1	25,75
50	1	1	1	77252-5913	3	NW 1	31,05
60	1	1,5	1	77252-6023	3	NW 1	31,05
75	1	2	1	77252-6193	3	NW 1	31,05
80	1	2	1	77252-6293	3	NW 1	31,05
100	1	2,5	1	77252-6333	3	NW 1	31,05
125	1	2,5	1	77252-6433	3	NW 1	31,05
150	1	2,5	1	77252-6533	3	NW 1	31,05
200	1	5	1	77252-6643	3	NW 1	31,05
250	1	5	1	77252-6743	3	NW 1	31,05
300	1	5	1	77252-6843	3	NW 1	31,05

Low Voltage Current Transformers

For more information
see page **336**



77253-1432

PSR 203 Tube Unit Current Transformer diameter 21 mm, accuracy class 0,5

Primary current in Amps	Secondary current in Amps	VA	accuracy class	Order-No.	PU	PG	Price €/pc.
125	5	2,5	0,5	77253-1432	3	NW 1	34,40
150	5	2,5	0,5	77253-1532	3	NW 1	34,40
200	5	2,5	0,5	77253-1632	3	NW 1	34,40
250	5	2,5	0,5	77253-1732	3	NW 1	34,40
300	5	5	0,5	77253-1842	3	NW 1	34,40
125	1	2,5	0,5	77253-6432	3	NW 1	34,80
150	1	2,5	0,5	77253-6532	3	NW 1	34,80
200	1	2,5	0,5	77253-6632	3	NW 1	34,80
250	1	2,5	0,5	77253-6732	3	NW 1	34,80
300	1	5	0,5	77253-6842	3	NW 1	34,80



77253-1333

PSR 203 Tube Unit Current Transformer diameter 21 mm, accuracy class 1

Primary current in Amps	Secondary current in Amps	VA	accuracy class	Order-No.	PU	PG	Price €/pc.
75	5	2,5	1	77253-1133	3	NW 1	27,90
80	5	2,5	1	77253-1233	3	NW 1	27,90
100	5	2,5	1	77253-1333	3	NW 1	27,90
125	5	2,5	1	77253-1433	3	NW 1	27,90
150	5	5	1	77253-1543	3	NW 1	27,90
200	5	5	1	77253-1643	3	NW 1	27,90
250	5	5	1	77253-1743	3	NW 1	27,90
300	5	5	1	77253-1843	3	NW 1	27,90
75	1	2,5	1	77253-6133	3	NW 1	32,15
80	1	2,5	1	77253-6233	3	NW 1	32,15
100	1	2,5	1	77253-6333	3	NW 1	32,15
125	1	2,5	1	77253-6433	3	NW 1	32,15
150	1	5	1	77253-6543	3	NW 1	32,15
200	1	5	1	77253-6643	3	NW 1	32,15
250	1	5	1	77253-6743	3	NW 1	32,15
300	1	5	1	77253-6843	3	NW 1	32,15

Low Voltage Current Transformers

For more information
see page **336**



77254-0922

PSR 205 Tube Unit Current Transformer diameter 21 mm, accuracy class 0,5

Primary current in Amps	Secondary current in Amps	VA	accuracy class	Order-No.	PU	PG	Price €/pc.
50	5	1,5	0,5	77254-0922	3	NW 1	34,80
60	5	1,5	0,5	77254-1022	3	NW 1	35,80
75	5	1,5	0,5	77254-1122	3	NW 1	35,80
80	5	2,5	0,5	77254-1232	3	NW 1	39,50
100	5	2,5	0,5	77254-1332	3	NW 1	39,50
125	5	5	0,5	77254-1442	3	NW 1	39,50
150	5	5	0,5	77254-1542	3	NW 1	39,50
200	5	5	0,5	77254-1642	3	NW 1	39,50
250	5	5	0,5	77254-1742	3	NW 1	39,50
300	5	5	0,5	77254-1842	3	NW 1	39,50
50	1	1,5	0,5	77254-5922	3	NW 1	40,50
60	1	2,5	0,5	77254-6022	3	NW 1	40,50
75	1	1,5	0,5	77254-6122	3	NW 1	40,50
80	1	2,5	0,5	77254-6232	3	NW 1	40,50
100	1	2,5	0,5	77254-6332	3	NW 1	40,50
125	1	5	0,5	77254-6442	3	NW 1	40,50
150	1	5	0,5	77254-6542	3	NW 1	40,50
200	1	5	0,5	77254-6642	3	NW 1	40,50
250	1	5	0,5	77254-6742	3	NW 1	40,50
300	1	5	0,5	77254-6842	3	NW 1	40,50



77254-0933

PSR 205 Tube Unit Current Transformer diameter 21 mm, accuracy class 1

Primary current in Amps	Secondary current in Amps	VA	accuracy class	Order-No.	PU	PG	Price €/pc.
50	5	2,5	1	77254-0933	3	NW 1	33,15
60	5	2,5	1	77254-1033	3	NW 1	33,15
75	5	2,5	1	77254-1133	3	NW 1	37,90
80	5	5	1	77254-1243	3	NW 1	36,50
100	5	5	1	77254-1343	3	NW 1	36,50
125	5	5	1	77254-1443	3	NW 1	36,50
150	5	10	1	77254-1563	3	NW 1	36,50
200	5	10	1	77254-1663	3	NW 1	36,50
250	5	10	1	77254-1763	3	NW 1	36,50
300	5	10	1	77254-1863	3	NW 1	36,50
50	1	2,5	1	77254-5933	3	NW 1	37,00
60	1	2,5	1	77254-6033	3	NW 1	37,00
75	1	2,5	1	77254-6133	3	NW 1	37,00
80	1	5	1	77254-6243	3	NW 1	37,00
100	1	5	1	77254-6343	3	NW 1	37,00
125	1	5	1	77254-6443	3	NW 1	37,00
150	1	5	1	77254-6543	3	NW 1	37,00
200	1	5	1	77254-6643	3	NW 1	37,00
250	1	5	1	77254-6743	3	NW 1	37,00
300	1	5	1	77254-6843	3	NW 1	37,00

Low Voltage Current Transformers

 For more information
see page **336**


77255-1332

PSR 253 Tube Unit Current Transformer diameter 22,5 mm, accuracy class 0,5

Primary current in Amps	Secondary current in Amps	VA	accuracy class	Order-No.	PU	PG	Price €/pc.
75	5	1,5	0,5	77255-1122	3	NW 1	33,40
80	5	1,5	0,5	77255-1222	3	NW 1	33,40
100	5	2,5	0,5	77255-1332	3	NW 1	33,40
125	5	2,5	0,5	77255-1432	3	NW 1	33,40
150	5	2,5	0,5	77255-1532	3	NW 1	33,40
200	5	5	0,5	77255-1642	3	NW 1	33,40
250	5	5	0,5	77255-1742	3	NW 1	33,40
300	5	5	0,5	77255-1842	3	NW 1	33,40
400	5	5	0,5	77255-1942	3	NW 1	33,40
500	5	5	0,5	77255-2042	3	NW 1	33,40
600	5	5	0,5	77255-2142	3	NW 1	33,40
75	1	1,5	0,5	77255-6122	3	NW 1	34,50
80	1	1,5	0,5	77255-6222	3	NW 1	34,50
100	1	2,5	0,5	77255-6332	3	NW 1	34,50
125	1	2,5	0,5	77255-6432	3	NW 1	34,50
150	1	2,5	0,5	77255-6532	3	NW 1	34,50
200	1	5	0,5	77255-6642	3	NW 1	34,50
250	1	5	0,5	77255-6742	3	NW 1	34,50
300	1	5	0,5	77255-6842	3	NW 1	34,50
400	1	5	0,5	77255-6942	3	NW 1	34,50
500	1	5	0,5	77255-7042	3	NW 1	37,00
600	1	5	0,5	77255-7142	3	NW 1	37,00



77255-1743

PSR 253 Tube Unit Current Transformer diameter 22,5 mm, accuracy class 1

Primary current in Amps	Secondary current in Amps	VA	accuracy class	Order-No.	PU	PG	Price €/pc.
50	5	1,5	1	77255-0923	3	NW 1	28,95
60	5	2,5	1	77255-1033	3	NW 1	28,95
75	5	2,5	1	77255-1133	3	NW 1	28,95
80	5	2,5	1	77255-1233	3	NW 1	28,95
100	5	5	1	77255-1343	3	NW 1	28,90
125	5	5	1	77255-1443	3	NW 1	28,95
150	5	5	1	77255-1543	3	NW 1	28,90
200	5	5	1	77255-1643	3	NW 1	28,95
250	5	5	1	77255-1743	3	NW 1	28,95
300	5	5	1	77255-1843	3	NW 1	28,95
400	5	5	1	77255-1943	3	NW 1	28,95
500	5	5	1	77255-2043	3	NW 1	31,05
600	5	5	1	77255-2143	3	NW 1	31,05
50	1	1,5	1	77255-5923	3	NW 1	32,15
60	1	2,5	1	77255-6033	3	NW 1	32,15
75	1	2,5	1	77255-6133	3	NW 1	32,15
80	1	2,5	1	77255-6233	3	NW 1	32,15
100	1	5	1	77255-6343	3	NW 1	32,00
125	1	5	1	77255-6443	3	NW 1	32,15
150	1	5	1	77255-6543	3	NW 1	32,00
200	1	5	1	77255-6643	3	NW 1	32,15
250	1	5	1	77255-6743	3	NW 1	32,15
250	1	10	1	77255-6763	3	NW 1	32,15
300	1	5	1	77255-6843	3	NW 1	32,15
400	1	5	1	77255-6943	3	NW 1	32,15
500	1	5	1	77255-7043	3	NW 1	35,40
600	1	5	1	77255-7143	3	NW 1	35,40

NW

Low Voltage Current Transformers

For more information
see page **336**



77256-1742

PSR 253/30 Tube Unit Current Transformer diameter 30 mm, accuracy class 0,5

Primary current in Amps	Secondary current in Amps	VA	accuracy class	Order-No.	PU	PG	Price €/pc.
125	5	5	0,5	77256-1442	3	NW 1	37,00
150	5	5	0,5	77256-1542	3	NW 1	37,00
200	5	5	0,5	77256-1642	3	NW 1	37,00
250	5	5	0,5	77256-1742	3	NW 1	37,00
300	5	5	0,5	77256-1842	3	NW 1	37,00
400	5	5	0,5	77256-1942	3	NW 1	37,00
500	5	5	0,5	77256-2042	3	NW 1	32,00
600	5	5	0,5	77256-2142	3	NW 1	33,00
125	1	5	0,5	77256-6442	3	NW 1	35,00
150	1	5	0,5	77256-6542	3	NW 1	35,00
200	1	5	0,5	77256-6642	3	NW 1	35,00
250	1	5	0,5	77256-6742	3	NW 1	35,00
300	1	5	0,5	77256-6842	3	NW 1	35,00
400	1	5	0,5	77256-6942	3	NW 1	35,00
500	1	5	0,5	77256-7042	3	NW 1	35,00
600	1	5	0,5	77256-7142	3	NW 1	35,00
250	1	5	0,5	77256-6742	3	NW 1	35,00



77256-1743

PSR 253/30 Tube Unit Current Transformer diameter 30 mm, accuracy class 1

Primary current in Amps	Secondary current in Amps	VA	accuracy class	Order-No.	PU	PG	Price €/pc.
125	5	5	1	77256-1443	3	NW 1	35,40
150	5	5	1	77256-1543	3	NW 1	35,40
200	5	5	1	77256-1643	3	NW 1	35,40
250	5	5	1	77256-1743	3	NW 1	35,40
300	5	5	1	77256-1843	3	NW 1	35,40
400	5	5	1	77256-1943	3	NW 1	32,00
500	5	5	1	77256-2043	3	NW 1	32,00
600	5	5	1	77256-2143	3	NW 1	32,00
1000	5	2,5	1	77256-2433	3	NW 1	33,00
125	1	5	1	77256-6443	3	NW 1	32,00
150	1	5	1	77256-6543	3	NW 1	32,00
200	1	5	1	77256-6643	3	NW 1	32,00
250	1	5	1	77256-6743	3	NW 1	32,00
300	1	5	1	77256-6843	3	NW 1	32,00
400	1	5	1	77256-6943	3	NW 1	32,00
500	1	5	1	77256-7043	3	NW 1	32,00
600	1	5	1	77256-7143	3	NW 1	32,00

Low Voltage Current Transformers

For more information
see page **336**



77362-0242

PSW 55
Wound Primary Current Transformers, accuracy class 0,5

Primary current in Amps	Secondary current in Amps	VA	accuracy class	Order-No.	PU	PG	Price €/pc.
5	5	5	0,5	77362-0242	1	NW 2	79,00
10	5	5	0,5	77362-0342	1	NW 2	79,00
15	5	5	0,5	77362-0442	1	NW 2	79,00
20	5	5	0,5	77362-0542	1	NW 2	80,00
25	5	5	0,5	77362-0642	1	NW 2	80,00
30	5	5	0,5	77362-0742	1	NW 2	80,00
40	5	5	0,5	77362-0842	1	NW 2	80,00
5	1	5	0,5	77362-5142	1	NW 2	98,00
5	1	5	0,5	77362-5242	1	NW 2	98,00
15	1	5	0,5	77362-5342	1	NW 2	98,00
20	1	5	0,5	77362-5442	1	NW 2	98,00
25	1	5	0,5	77362-5542	1	NW 2	98,00
30	1	5	0,5	77362-5742	1	NW 2	98,00
40	1	5	0,5	77362-5842	1	NW 2	98,00



77362-0243

PSW 55
Wound Primary Current Transformers, accuracy class 1

Primary current in Amps	Secondary current in Amps	VA	accuracy class	Order-No.	PU	PG	Price €/pc.
5	5	5	1	77362-0243	1	NW 2	72,00
5	5	10	1	77362-0263	1	NW 2	72,00
10	5	5	1	77362-0343	1	NW 2	72,00
10	5	10	1	77362-0363	1	NW 2	72,00
15	5	5	1	77362-0443	1	NW 2	72,00
15	5	10	1	77362-0463	1	NW 2	72,00
20	5	5	1	77362-0543	1	NW 2	72,00
20	5	10	1	77362-0563	1	NW 2	72,00
25	5	5	1	77362-0643	1	NW 2	72,00
25	5	10	1	77362-0663	1	NW 2	72,00
30	5	5	1	77362-0743	1	NW 2	72,00
30	5	10	1	77362-0763	1	NW 2	72,00
40	5	5	1	77362-0843	1	NW 2	72,00
40	5	10	1	77362-0863	1	NW 2	92,00
5	1	5	1	77362-5143	1	NW 2	92,00
5	1	10	1	77362-5163	1	NW 2	92,00
5	1	5	1	77362-5243	1	NW 2	92,00
5	1	10	1	77362-5263	1	NW 2	92,00
15	1	5	1	77362-5343	1	NW 2	92,00
15	1	10	1	77362-5363	1	NW 2	92,00
20	1	5	1	77362-5443	1	NW 2	92,00
20	1	10	1	77362-5463	1	NW 2	92,00
25	1	5	1	77362-5543	1	NW 2	92,00
25	1	10	1	77362-5563	1	NW 2	92,00
30	1	5	1	77362-5743	1	NW 2	92,00
30	1	10	1	77362-5763	1	NW 2	92,00
40	1	5	1	77362-5843	1	NW 2	92,00
40	1	10	1	77362-5863	1	NW 2	92,00

Low Voltage Current Transformers

For more information
see page **336**



77364-6043

PSW 70

Wound Primary Current Transformers, accuracy class 0,5

Primary current in Amps	Secondary current in Amps	VA	accuracy class	Order-No.	PU	PG	Price €/pc.
25	5	5	0,5	77364-0642	1	NW 2	98,00
30	5	5	0,5	77364-0742	1	NW 2	94,30
40	5	5	0,5	77364-0842	1	NW 2	94,30
50	5	5	0,5	77364-0942	1	NW 2	98,00
60	5	5	0,5	77364-1042	1	NW 2	98,00
75	5	5	0,5	77364-1142	1	NW 2	98,00
80	5	5	0,5	77364-1242	1	NW 2	98,00
100	5	5	0,5	77364-1342	1	NW 2	98,00
125	5	5	0,5	77364-1442	1	NW 2	98,00
150	5	5	0,5	77364-1542	1	NW 2	98,00
200	5	5	0,5	77364-1642	1	NW 2	98,00
25	1	5	0,5	77364-5542	1	NW 2	98,00
30	1	5	0,5	77364-5742	1	NW 2	98,00
40	1	5	0,5	77364-5842	1	NW 2	94,30
50	1	5	0,5	77364-5942	1	NW 2	105,00
60	1	5	0,5	77364-6042	1	NW 2	105,00
75	1	5	0,5	77364-6142	1	NW 2	105,00
80	1	5	0,5	77364-6242	1	NW 2	105,00
100	1	5	0,5	77364-6342	1	NW 2	105,00
125	1	5	0,5	77364-6442	1	NW 2	105,00
150	1	5	0,5	77364-6542	1	NW 2	105,00
200	1	5	0,5	77364-6642	1	NW 2	105,00

Low Voltage Current Transformers

For more information
see page **336**



77364-0843

PSW 70

Wound Primary Current Transformers, accuracy class 1

Primary current in Amps	Secondary current in Amps	VA	accuracy class	Order-No.	PU	PG	Price €/pc.
25	5	5	1	77364-0643	1	NW 2	94,30
25	5	10	1	77364-0663	1	NW 2	98,00
30	5	5	1	77364-0743	1	NW 2	94,30
30	5	10	1	77364-0763	1	NW 2	94,30
40	5	5	1	77364-0843	1	NW 2	94,30
40	5	10	1	77364-0863	1	NW 2	94,30
50	5	5	1	77364-0943	1	NW 2	94,30
50	5	10	1	77364-0963	1	NW 2	94,30
60	5	5	1	77364-1043	1	NW 2	94,30
60	5	10	1	77364-1063	1	NW 2	94,30
75	5	5	1	77364-1143	1	NW 2	94,30
75	5	10	1	77364-1163	1	NW 2	94,30
80	5	5	1	77364-1243	1	NW 2	94,30
80	5	10	1	77364-1263	1	NW 2	94,30
100	5	5	1	77364-1343	1	NW 2	94,30
100	5	10	1	77364-1363	1	NW 2	94,30
125	5	5	1	77364-1443	1	NW 2	94,30
125	5	10	1	77364-1463	1	NW 2	94,30
150	5	5	1	77364-1543	1	NW 2	94,30
150	5	10	1	77364-1563	1	NW 2	94,30
200	5	5	1	77364-1643	1	NW 2	94,30
200	5	10	1	77364-1663	1	NW 2	94,30
25	1	5	1	77364-5543	1	NW 2	94,30
25	1	10	1	77364-5563	1	NW 2	94,30
30	1	5	1	77364-5743	1	NW 2	94,30
30	1	10	1	77364-5763	1	NW 2	98,60
40	1	5	1	77364-5843	1	NW 2	98,60
40	1	10	1	77364-5863	1	NW 2	98,60
50	1	5	1	77364-5943	1	NW 2	98,60
50	1	10	1	77364-5963	1	NW 2	98,60
60	1	5	1	77364-6043	1	NW 2	98,60
60	1	10	1	77364-6063	1	NW 2	98,60
75	1	5	1	77364-6143	1	NW 2	98,60
75	1	10	1	77364-6163	1	NW 2	98,60
80	1	5	1	77364-6243	1	NW 2	98,60
80	1	10	1	77364-6263	1	NW 2	98,60
100	1	5	1	77364-6343	1	NW 2	98,60
100	1	10	1	77364-6363	1	NW 2	98,60
125	1	5	1	77364-6443	1	NW 2	98,60
125	1	10	1	77364-6463	1	NW 2	98,60
150	1	5	1	77364-6543	1	NW 2	98,60
150	1	10	1	77364-6563	1	NW 2	98,60
200	1	5	1	77364-6643	1	NW 2	98,60
200	1	10	1	77364-6663	1	NW 2	98,60

Low Voltage Current Transformers

For more information
see page **336**



77470-3442

PSS 2

Summation Current Transformer for 2 circuits, accuracy class 0,5

Primary current in Amps	Secondary current in Amps	VA	accuracy class	Order-No.	PU	PG	Price €/pc.
2x5	5	5	0,5	77470-3442	1	NW 2	79,40
2x5	5	10	0,5	77470-3462	1	NW 2	85,00
2x5	5	15	0,5	77470-3472	1	NW 2	85,00
2x1	5	10	0,5	77470-3962	1	NW 2	85,00
2x1	5	15	0,5	77470-3972	1	NW 2	105,00
2x5	1	5	0,5	77470-8742	1	NW 2	85,00
2x5	1	10	0,5	77470-8762	1	NW 2	85,00
2x5	1	15	0,5	77470-8772	1	NW 2	105,00
2x1	1	5	0,5	77470-8942	1	NW 2	94,00
2x1	1	10	0,5	77470-8962	1	NW 2	105,00
2x1	1	15	0,5	77470-8972	1	NW 2	105,00



77470-3443

PSS 2

Summation Current Transformer for 2 circuits, accuracy class 1

Primary current in Amps	Secondary current in Amps	VA	accuracy class	Order-No.	PU	PG	Price €/pc.
2x5	5	5	1	77470-3443	1	NW 2	79,40
2x5	5	10	1	77470-3463	1	NW 2	79,40
2x5	5	15	1	77470-3473	1	NW 2	79,40
2x1	5	10	1	77470-3963	1	NW 2	85,00
2x1	5	15	1	77470-3973	1	NW 2	79,40
2x5	1	5	1	77470-8743	1	NW 2	79,00
2x5	1	10	1	77470-8763	1	NW 2	91,70
2x5	1	15	1	77470-8773	1	NW 2	94,00
2x1	1	5	1	77470-8943	1	NW 2	84,00
2x1	1	10	1	77470-8963	1	NW 2	94,00
2x1	1	15	1	77470-8973	1	NW 2	94,00

Low Voltage Current Transformers

For more information
see page **336**

PGSU

Summation Current Transformer for 3-10 circuits, accuracy class 0,5

Primary current in Amps	Secondary current in Amps	VA	accuracy class	Order-No.	PU	PG	Price €/pc.
3 x 5 A	5 A	10	0,5	77844-3562	1	NW 9	230,00
4 x 5 A	5 A	10	0,5	77844-3662	1	NW 9	230,00
5 x 5 A	5 A	10	0,5	77844-3762	1	NW 9	245,00
6 x 5 A	5 A	10	0,5	77844-3862	1	NW 9	245,00
7 x 5 A	5 A	10	0,5	77844-4662	1	NW 9	245,00
8 x 5 A	5 A	10	0,5	77844-4762	1	NW 9	255,00
9 x 5 A	5 A	10	0,5	77844-4862	1	NW 9	255,00
10 x 5 A	5 A	10	0,5	77844-4962	1	NW 9	255,00
3 x 5 A	1 A	10	0,5	77844-9062	1	NW 9	230,00
4 x 5 A	1 A	10	0,5	77844-9162	1	NW 9	240,00
5 x 5 A	1 A	10	0,5	77844-9262	1	NW 9	250,00
6 x 5 A	1 A	10	0,5	77844-9362	1	NW 9	255,00
7 x 5 A	1 A	10	0,5	77844-9462	1	NW 9	260,00
8 x 5 A	1 A	10	0,5	77844-9762	1	NW 9	260,00
9 x 5 A	1 A	10	0,5	77844-9862	1	NW 9	265,00
10 x 5 A	1 A	10	0,5	77844-9962	1	NW 9	265,00

PGSU

Summation Current Transformer for 3-10 circuits, accuracy class 1

Primary current in Amps	Secondary current in Amps	VA	accuracy class	Order-No.	PU	PG	Price €/pc.
3 x 5 A	5 A	10	1	77844-3563	1	NW 9	210,00
4 x 5 A	5 A	10	1	77844-3663	1	NW 9	210,00
5 x 5 A	5 A	10	1	77844-3763	1	NW 9	230,00
6 x 5 A	5 A	10	1	77844-3863	1	NW 9	230,00
7 x 5 A	5 A	10	1	77844-4663	1	NW 9	230,00
8 x 5 A	5 A	10	1	77844-4763	1	NW 9	240,00
9 x 5 A	5 A	10	1	77844-4863	1	NW 9	240,00
10 x 5 A	5 A	10	1	77844-4963	1	NW 9	240,00
3 x 5 A	1 A	10	1	77844-9063	1	NW 9	230,00
4 x 5 A	1 A	10	1	77844-9163	1	NW 9	240,00
5 x 5 A	1 A	10	1	77844-9263	1	NW 9	245,00
6 x 5 A	1 A	10	1	77844-9363	1	NW 9	250,00
7 x 5 A	1 A	10	1	77844-9463	1	NW 9	250,00
8 x 5 A	1 A	10	1	77844-9763	1	NW 9	255,00
9 x 5 A	1 A	10	1	77844-9863	1	NW 9	255,00
10 x 5 A	1 A	10	1	77844-9963	1	NW 9	255,00

Low Voltage Current Transformers

For more information
see page **336**



77508-1132

EPSA 315

Window Type Current Transformers, PTB approved

Primary Busbar 30 x 10 mm

Primary current in Amps	Secondary current in Amps	VA	accuracy class	Order-No.	PU	PG	Price €/pc.
75	5	1,5	0,5	77508-1122	3	NW 3	130,00
75	5	1,5	0,5s	77508-1126	3	NW 3	130,00
75	5	2,5	0,5	77508-1132	3	NW 3	82,00
100	5	1,5	0,2	77508-1321	3	NW 3	130,00
100	5	1,5	0,5s	77508-1326	3	NW 3	52,00
100	5	2,5	0,2	77508-1331	3	NW 3	130,00
100	5	2,5	0,5	77508-1332	3	NW 3	42,00
100	5	2,5	0,5s	77508-1336	3	NW 3	130,00
125	5	1,5	0,2	77508-1421	3	NW 3	130,00
125	5	2,5	0,2	77508-1431	3	NW 3	150,00
125	5	2,5	0,5	77508-1432	3	NW 3	42,00
125	5	2,5	0,5s	77508-1436	3	NW 3	52,00
125	5	5	0,5	77508-1442	3	NW 3	84,00
150	5	2,5	0,2	77508-1531	3	NW 3	150,00
150	5	2,5	0,5	77508-1532	3	NW 3	42,00
150	5	2,5	0,5s	77508-1536	3	NW 3	150,00
150	5	5	0,2	77508-1541	3	NW 3	150,00
150	5	5	0,5	77508-1542	3	NW 3	42,00
150	5	5	0,5s	77508-1546	3	NW 3	60,00
150	5	10	0,5	77508-1562	3	NW 3	210,00
200	5	2,5	0,2	77508-1631	3	NW 3	55,00
200	5	2,5	0,5	77508-1632	3	NW 3	42,00
200	5	2,5	0,5s	77508-1636	3	NW 3	52,00
200	5	5	0,2	77508-1641	3	NW 3	65,00
200	5	5	0,5	77508-1642	3	NW 3	43,00
200	5	5	0,5s	77508-1646	3	NW 3	52,00
200	5	10	0,5	77508-1662	3	NW 3	42,00
200	5	15	0,5	77508-1672	3	NW 3	42,00
250	5	2,5	0,2	77508-1731	3	NW 3	130,00
250	5	2,5	0,5	77508-1732	3	NW 3	42,00
250	5	2,5	0,5s	77508-1736	3	NW 3	52,00
250	5	5	0,2	77508-1741	3	NW 3	52,00
250	5	5	0,5	77508-1742	3	NW 3	52,00
250	5	5	0,5s	77508-1746	3	NW 3	52,00
250	5	10	0,5	77508-1762	3	NW 3	75,00
250	5	10	0,5s	77508-1766	3	NW 3	52,00
250	5	15	0,5	77508-1772	3	NW 3	52,00
300	5	2,5	0,2	77508-1831	3	NW 3	130,00
300	5	2,5	0,5	77508-1832	3	NW 3	52,00
300	5	2,5	0,5s	77508-1836	3	NW 3	52,00
300	5	5	0,2	77508-1841	3	NW 3	58,00
300	5	5	0,5	77508-1842	3	NW 3	52,00
300	5	5	0,5s	77508-1846	3	NW 3	52,00
300	5	10	0,5	77508-1862	3	NW 3	52,00
300	5	10	0,5s	77508-1866	3	NW 3	52,00
300	5	15	0,5	77508-1872	3	NW 3	52,00
400	5	2,5	0,2	77508-1931	3	NW 3	52,00
400	5	2,5	0,5	77508-1932	3	NW 3	52,00
400	5	2,5	0,5s	77508-1936	3	NW 3	52,00
400	5	5	0,2	77508-1941	3	NW 3	55,00
400	5	5	0,5	77508-1942	3	NW 3	52,00
400	5	5	0,5s	77508-1946	3	NW 3	55,00

Low Voltage Current Transformers

For more information
see page **336**



77508-2032

EPSA 315

Window Type Current Transformers, PTB approved

Primary Busbar 30 x 10 mm

Primary current in Amps	Secondary current in Amps	VA	accuracy class	Order-No.	PU	PG	Price €/pc.
400	5	10	0,2	77508-1961	3	NW 3	55,00
400	5	10	0,5	77508-1962	3	NW 3	52,00
400	5	10	0,5s	77508-1966	3	NW 3	52,00
400	5	15	0,2	77508-1971	3	NW 3	55,00
400	5	15	0,5	77508-1972	3	NW 3	52,00
400	5	15	0,5s	77508-1976	3	NW 3	55,00
500	5	2,5	0,2	77508-2031	3	NW 3	52,00
500	5	2,5	0,5	77508-2032	3	NW 3	52,00
500	5	2,5	0,5s	77508-2036	3	NW 3	55,00
500	5	5	0,2	77508-2041	3	NW 3	52,00
500	5	5	0,5	77508-2042	3	NW 3	52,00
500	5	5	0,5s	77508-2046	3	NW 3	52,00
500	5	10	0,2	77508-2061	3	NW 3	52,00
500	5	10	0,5	77508-2062	3	NW 3	55,00
500	5	10	0,5s	77508-2066	3	NW 3	55,00
500	5	15	0,2	77508-2071	3	NW 3	85,00
500	5	15	0,5	77508-2072	3	NW 3	52,00
500	5	15	0,5s	77508-2076	3	NW 3	55,00
600	5	2,5	0,2	77508-2131	3	NW 3	52,00
600	5	2,5	0,5	77508-2132	3	NW 3	55,00
600	5	2,5	0,5s	77508-2136	3	NW 3	55,00
600	5	5	0,2	77508-2141	3	NW 3	52,00
600	5	5	0,5	77508-2142	3	NW 3	52,00
600	5	5	0,5s	77508-2146	3	NW 3	55,00
600	5	10	0,2	77508-2161	3	NW 3	52,00
600	5	10	0,5	77508-2162	3	NW 3	55,00
600	5	10	0,5s	77508-2166	3	NW 3	52,00
600	5	15	0,2	77508-2171	3	NW 3	52,00
600	5	15	0,5	77508-2172	3	NW 3	55,00
600	5	15	0,5s	77508-2176	3	NW 3	58,00

Low Voltage Current Transformers

For more information
see page **336**



77511-2142

EPSA 415

Window Type Current Transformers, PTB approved

Primary Busbar 40 x 10 mm

Primary current in Amps	Secondary current in Amps	VA	accuracy class	Order-No.	PU	PG	Price €/pc.
200	5	2,5	0,5	77511-1632	3	NW 3	85,00
200	5	5	0,5	77511-1642	3	NW 3	85,00
250	5	2,5	0,5	77511-1732	3	NW 3	85,00
250	5	2,5	0,5s	77511-1736	3	NW 3	105,00
250	5	5	0,5	77511-1742	3	NW 3	85,00
250	5	5	0,5s	77511-1746	3	NW 3	105,00
300	5	2,5	0,5	77511-1832	3	NW 3	85,00
300	5	2,5	0,5s	77511-1836	3	NW 3	105,00
300	5	5	0,5	77511-1842	3	NW 3	85,00
300	5	5	0,5s	77511-1846	3	NW 3	105,00
300	5	10	0,5	77511-1862	3	NW 3	85,00
400	5	2,5	0,2	77511-1931	3	NW 3	85,00
400	5	2,5	0,5	77511-1932	3	NW 3	85,00
400	5	2,5	0,5s	77511-1936	3	NW 3	105,00
400	5	5	0,2	77511-1941	3	NW 3	85,00
400	5	5	0,5	77511-1942	3	NW 3	85,00
400	5	5	0,5s	77511-1946	3	NW 3	105,00
400	5	10	0,5	77511-1962	3	NW 3	85,00
400	5	10	0,5s	77511-1966	3	NW 3	105,00
500	5	2,5	0,2	77511-2031	3	NW 3	85,00
500	5	2,5	0,5	77511-2032	3	NW 3	85,00
500	5	2,5	0,5s	77511-2036	3	NW 3	105,00
500	5	5	0,2	77511-2041	3	NW 3	85,00
500	5	5	0,5	77511-2042	3	NW 3	85,00
500	5	5	0,5s	77511-2046	3	NW 3	105,00
500	5	10	0,5	77511-2062	3	NW 3	85,00
500	5	10	0,5s	77511-2066	3	NW 3	105,00
600	5	2,5	0,2	77511-2131	3	NW 3	85,00
600	5	2,5	0,5	77511-2132	3	NW 3	85,00
600	5	2,5	0,5s	77511-2136	3	NW 3	105,00
600	5	5	0,2	77511-2141	3	NW 3	85,00
600	5	5	0,5	77511-2142	3	NW 3	85,00
600	5	5	0,5s	77511-2146	3	NW 3	105,00
600	5	10	0,5	77511-2162	3	NW 3	85,00
600	5	10	0,5s	77511-2166	3	NW 3	105,00
600	5	15	0,5	77511-2172	3	NW 3	85,00

Low Voltage Current Transformers

 For more information
see page **336**


77509-2142

EPSA 317.1
Window Type Current Transformers, PTB approved

Primary Busbar 30 x 10 mm

Primary current in Amps	Secondary current in Amps	VA	accuracy class	Order-No.	PU	PG	Price €/pc.
100	5	2,5	0,5	77509-1332	3	NW 3	105,00
100	5	2,5	0,5s	77509-1336	3	NW 3	110,00
100	5	5	0,5	77509-1342	3	NW 3	105,00
100	5	9	0,2	77509-1391	3	NW 3	105,00
125	5	2,5	0,5	77509-1432	3	NW 3	105,00
125	5	2,5	0,5s	77509-1436	3	NW 3	110,00
125	5	5	0,5	77509-1442	3	NW 3	105,00
125	5	5	0,5s	77509-1446	3	NW 3	110,00
125	5	9	0,2	77509-1491	3	NW 3	105,00
150	5	2,5	0,2	77509-1531	3	NW 3	105,00
150	5	2,5	0,5	77509-1532	3	NW 3	105,00
150	5	2,5	0,5s	77509-1536	3	NW 3	110,00
150	5	5	0,5	77509-1542	3	NW 3	105,00
150	5	5	0,5s	77509-1546	3	NW 3	110,00
200	5	2,5	0,2	77509-1631	3	NW 3	105,00
200	5	2,5	0,5	77509-1632	3	NW 3	105,00
200	5	2,5	0,5s	77509-1636	3	NW 3	110,00
200	5	5	0,2	77509-1641	3	NW 3	105,00
200	5	5	0,5	77509-1642	3	NW 3	105,00
200	5	5	0,5s	77509-1646	3	NW 3	110,00
200	5	10	0,5	77509-1662	3	NW 3	105,00
200	5	10	0,5s	77509-1666	3	NW 3	110,00
250	5	2,5	0,2	77509-1731	3	NW 3	105,00
250	5	2,5	0,5	77509-1732	3	NW 3	105,00
250	5	2,5	0,5s	77509-1736	3	NW 3	110,00
250	5	5	0,2	77509-1741	3	NW 3	105,00
250	5	5	0,5	77509-1742	3	NW 3	105,00
250	5	5	0,5s	77509-1746	3	NW 3	110,00
250	5	10	0,5	77509-1762	3	NW 3	105,00
250	5	10	0,5s	77509-1766	3	NW 3	110,00
300	5	2,5	0,2	77509-1831	3	NW 3	105,00
300	5	2,5	0,5	77509-1832	3	NW 3	105,00
300	5	2,5	0,5s	77509-1836	3	NW 3	110,00
300	5	5	0,2	77509-1841	3	NW 3	105,00
300	5	5	0,5	77509-1842	3	NW 3	105,00
300	5	5	0,5s	77509-1846	3	NW 3	110,00
300	5	10	0,5	77509-1862	3	NW 3	105,00
300	5	10	0,5s	77509-1866	3	NW 3	110,00
300	5	15	0,5s	77509-1876	3	NW 3	110,00
400	5	2,5	0,2	77509-1931	3	NW 3	105,00
400	5	2,5	0,5	77509-1932	3	NW 3	105,00
400	5	2,5	0,5s	77509-1936	3	NW 3	110,00
400	5	5	0,2	77509-1941	3	NW 3	105,00
400	5	5	0,5	77509-1942	3	NW 3	105,00
400	5	5	0,5s	77509-1946	3	NW 3	110,00
400	5	10	0,5	77509-1962	3	NW 3	105,00
400	5	10	0,5s	77509-1966	3	NW 3	110,00
400	5	15	0,5s	77509-1976	3	NW 3	110,00
500	5	2,5	0,2	77509-2031	3	NW 3	105,00
500	5	2,5	0,5	77509-2032	3	NW 3	105,00
500	5	2,5	0,5s	77509-2036	3	NW 3	110,00
500	5	5	0,2	77509-2041	3	NW 3	105,00

Low Voltage Current Transformers

For more information
see page **336**



77509-2142

EPSA 317.1

Window Type Current Transformers, PTB approved

Primary Busbar 30 x 10 mm

Primary current in Amps	Secondary current in Amps	VA	accuracy class	Order-No.	PU	PG	Price €/pc.
500	5	5	0,5	77509-2042	3	NW 3	105,00
500	5	5	0,5s	77509-2046	3	NW 3	110,00
500	5	10	0,5	77509-2062	3	NW 3	105,00
500	5	10	0,5s	77509-2066	3	NW 3	110,00
500	5	15	0,5	77509-2072	3	NW 3	105,00
500	5	15	0,5s	77509-2076	3	NW 3	110,00
600	5	2,5	0,2	77509-2131	3	NW 3	105,00
600	5	2,5	0,5	77509-2132	3	NW 3	105,00
600	5	2,5	0,5s	77509-2136	3	NW 3	110,00
600	5	5	0,2	77509-2141	3	NW 3	105,00
600	5	5	0,5	77509-2142	3	NW 3	105,00
600	5	5	0,5s	77509-2146	3	NW 3	110,00
600	5	10	0,2	77509-2161	3	NW 3	105,00
600	5	10	0,5	77509-2162	3	NW 3	105,00
600	5	10	0,5s	77509-2166	3	NW 3	110,00
600	5	15	0,5	77509-2172	3	NW 3	105,00
600	5	15	0,5s	77509-2176	3	NW 3	110,00

Low Voltage Current Transformers

For more information
see page **336**



77510-1132

EPSA 317.2

Window Type Current Transformers, PTB approved

Primary Busbar 30 x 10 mm

Primary current in Amps	Secondary current in Amps	VA	accuracy class	Order-No.	PU	PG	Price €/pc.
75	5	2,5	0,5	77510-1132	3	NW 3	115,00
75	5	5	0,5	77510-1142	3	NW 3	115,00
75	5	9	0,5	77510-1192	3	NW 3	115,00
75	5	9	0,5s	77510-1196	3	NW 3	135,00
100	5	2,5	0,2	77510-1331	3	NW 3	115,00
100	5	5	0,5s	77510-1346	3	NW 3	135,00
125	5	2,5	0,2	77510-1431	3	NW 3	115,00
150	5	2,5	0,2	77510-1531	3	NW 3	115,00
150	5	10	0,5	77510-1562	3	NW 3	115,00
150	5	10	0,5s	77510-1566	3	NW 3	135,00
200	5	10	0,2	77510-1661	3	NW 3	115,00
200	5	15	0,5	77510-1672	3	NW 3	115,00
200	5	15	0,5s	77510-1676	3	NW 3	135,00
250	5	10	0,2	77510-1761	3	NW 3	115,00
250	5	15	0,5	77510-1772	3	NW 3	115,00
250	5	15	0,5s	77510-1776	3	NW 3	135,00
300	5	10	0,2	77510-1861	3	NW 3	115,00
300	5	15	0,5	77510-1872	3	NW 3	115,00
400	5	10	0,2	77510-1961	3	NW 3	115,00
400	5	15	0,5	77510-1972	3	NW 3	115,00
500	5	10	0,2	77510-2061	3	NW 3	115,00

Low Voltage Current Transformers

For more information
see page **336**



77512-1942

EPSA 417.1

Window Type Current Transformers, PTB approved

Primary Busbar 40 x 12 mm

Primary current in Amps	Secondary current in Amps	VA	accuracy class	Order-No.	PU	PG	Price €/pc.
150	5	2,5	0,5	77512-1532	3	NW 3	85,00
150	5	2,5	0,5s	77512-1536	3	NW 3	105,00
150	5	5	0,5s	77512-1546	3	NW 3	105,00
150	5	9	0,5	77512-1592	3	NW 3	105,00
200	5	2,5	0,2	77512-1631	3	NW 3	85,00
200	5	2,5	0,5	77512-1632	3	NW 3	85,00
200	5	2,5	0,5s	77512-1636	3	NW 3	105,00
200	5	5	0,5s	77512-1646	3	NW 3	105,00
250	5	2,5	0,2	77512-1731	3	NW 3	85,00
250	5	2,5	0,5	77512-1732	3	NW 3	85,00
250	5	2,5	0,5s	77512-1736	3	NW 3	105,00
250	5	5	0,5	77512-1742	3	NW 3	105,00
250	5	5	0,5s	77512-1746	3	NW 3	85,00
250	5	10	0,5s	77512-1766	3	NW 3	105,00
300	5	2,5	0,2	77512-1831	3	NW 3	85,00
300	5	2,5	0,5	77512-1832	3	NW 3	85,00
300	5	2,5	0,5s	77512-1836	3	NW 3	105,00
300	5	5	0,2	77512-1841	3	NW 3	85,00
300	5	5	0,5	77512-1842	3	NW 3	85,00
300	5	5	0,5s	77512-1846	3	NW 3	105,00
300	5	10	0,5	77512-1862	3	NW 3	85,00
300	5	10	0,5s	77512-1866	3	NW 3	105,00
400	5	2,5	0,2	77512-1931	3	NW 3	85,00
400	5	2,5	0,5	77512-1932	3	NW 3	85,00
400	5	2,5	0,5s	77512-1936	3	NW 3	105,00
400	5	5	0,2	77512-1941	3	NW 3	85,00
400	5	5	0,5	77512-1942	3	NW 3	85,00
400	5	5	0,5s	77512-1946	3	NW 3	105,00
400	5	10	0,5	77512-1962	3	NW 3	85,00
400	5	10	0,5s	77512-1966	3	NW 3	105,00
400	5	15	0,5s	77512-1976	3	NW 3	105,00
500	5	2,5	0,2	77512-2031	3	NW 3	85,00
500	5	2,5	0,5	77512-2032	3	NW 3	85,00
500	5	2,5	0,5s	77512-2036	3	NW 3	105,00
500	5	5	0,2	77512-2041	3	NW 3	85,00
500	5	5	0,5	77512-2042	3	NW 3	85,00
500	5	5	0,5s	77512-2046	3	NW 3	105,00
500	5	10	0,5	77512-2062	3	NW 3	85,00
500	5	10	0,5s	77512-2066	3	NW 3	105,00
500	5	15	0,5s	77512-2076	3	NW 3	105,00
600	5	2,5	0,2	77512-2131	3	NW 3	85,00
600	5	2,5	0,5	77512-2132	3	NW 3	85,00
600	5	2,5	0,5s	77512-2136	3	NW 3	105,00
600	5	5	0,2	77512-2141	3	NW 3	85,00
600	5	5	0,5	77512-2142	3	NW 3	85,00
600	5	5	0,5s	77512-2146	3	NW 3	105,00
600	5	10	0,5	77512-2162	3	NW 3	85,00
600	5	10	0,5s	77512-2166	3	NW 3	105,00
600	5	15	0,5	77512-2172	3	NW 3	85,00
600	5	15	0,5s	77512-2176	3	NW 3	105,00
750	5	2,5	0,2	77512-2231	3	NW 3	85,00
750	5	2,5	0,5	77512-2232	3	NW 3	85,00

Low Voltage Current Transformers

For more information
see page **336**



77512-1942

EPSA 417.1

Window Type Current Transformers, PTB approved

Primary Busbar 40 x 12 mm

Primary current in Amps	Secondary current in Amps	VA	accuracy class	Order-No.	PU	PG	Price €/pc.
750	5	2,5	0,5s	77512-2236	3	NW 3	105,00
750	5	5	0,2	77512-2241	3	NW 3	85,00
750	5	5	0,5	77512-2242	3	NW 3	85,00
750	5	5	0,5s	77512-2246	3	NW 3	105,00
750	5	10	0,5	77512-2262	3	NW 3	85,00
750	5	10	0,5s	77512-2266	3	NW 3	105,00
750	5	15	0,5	77512-2272	3	NW 3	85,00
750	5	15	0,5s	77512-2276	3	NW 3	105,00
800	5	2,5	0,2	77512-2331	3	NW 3	85,00
800	5	2,5	0,5	77512-2332	3	NW 3	85,00
800	5	2,5	0,5s	77512-2336	3	NW 3	105,00
800	5	5	0,2	77512-2341	3	NW 3	85,00
800	5	5	0,5	77512-2342	3	NW 3	85,00
800	5	5	0,5s	77512-2346	3	NW 3	105,00
800	5	10	0,5	77512-2362	3	NW 3	85,00
800	5	10	0,5s	77512-2366	3	NW 3	105,00
800	5	15	0,5	77512-2372	3	NW 3	85,00
800	5	15	0,5s	77512-2376	3	NW 3	105,00
1000	5	2,5	0,2	77512-2431	3	NW 3	85,00
1000	5	2,5	0,5	77512-2432	3	NW 3	85,00
1000	5	2,5	0,5s	77512-2436	3	NW 3	105,00
1000	5	5	0,2	77512-2441	3	NW 3	85,00
1000	5	5	0,5	77512-2442	3	NW 3	85,00
1000	5	5	0,5s	77512-2446	3	NW 3	105,00
1000	5	10	0,2	77512-2461	3	NW 3	85,00
1000	5	10	0,5	77512-2462	3	NW 3	85,00
1000	5	10	0,5s	77512-2466	3	NW 3	105,00
1000	5	15	0,5	77512-2472	3	NW 3	85,00
1000	5	15	0,5s	77512-2476	3	NW 3	105,00

Low Voltage Current Transformers

For more information
see page **336**



77514-1531

EPSA 417.2

Window Type Current Transformers, PTB approved

Primary Busbar 40 x 12 mm

Primary current in Amps	Secondary current in Amps	VA	accuracy class	Order-No.	PU	PG	Price €/pc.
150	5	2,5	0,2	77514-1531	3	NW 3	130,00
150	5	9	0,2	77514-1591	3	NW 3	105,00
200	5	5	0,2	77514-1641	3	NW 3	105,00
200	5	5	0,5	77514-1642	3	NW 3	105,00
200	5	10	0,5	77514-1662	3	NW 3	105,00
200	5	10	0,5s	77514-1666	3	NW 3	130,00
250	5	10	0,2	77514-1761	3	NW 3	105,00
250	5	15	0,2	77514-1771	3	NW 3	105,00
250	5	15	0,5	77514-1772	3	NW 3	105,00
300	5	10	0,2	77514-1861	3	NW 3	105,00
300	5	15	0,2	77514-1871	3	NW 3	105,00
300	5	15	0,5	77514-1872	3	NW 3	105,00
300	5	15	0,5s	77514-1876	3	NW 3	115,00
400	5	10	0,2	77514-1961	3	NW 3	105,00
400	5	15	0,2	77514-1971	3	NW 3	105,00
400	5	15	0,5	77514-1972	3	NW 3	105,00
500	5	10	0,2	77514-2061	3	NW 3	105,00
500	5	15	0,2	77514-2071	3	NW 3	105,00
500	5	15	0,5	77514-2072	3	NW 3	105,00
600	5	10	0,2	77514-2161	3	NW 3	105,00
600	5	15	0,2	77514-2171	3	NW 3	105,00
750	5	10	0,2	77514-2261	3	NW 3	105,00
750	5	15	0,2	77514-2271	3	NW 3	105,00
800	5	10	0,2	77514-2361	3	NW 3	105,00
800	5	15	0,2	77514-2371	3	NW 3	105,00
1000	5	15	0,2	77514-2471	3	NW 3	105,00

Low Voltage Current Transformers

 For more information
see page **336**


77517-1842

EPSA 517.1
Window Type Current Transformers, PTB approved

Primary Busbar 50 x 12 mm

Primary current in Amps	Secondary current in Amps	VA	accuracy class	Order-No.	PU	PG	Price €/pc.
250	5	2,5	0,5	77517-1732	3	NW 3	105,00
250	5	2,5	0,5s	77517-1736	3	NW 3	115,00
250	5	5	0,5	77517-1742	3	NW 3	105,00
250	5	5	0,5s	77517-1746	3	NW 3	115,00
300	5	2,5	0,5	77517-1832	3	NW 3	105,00
300	5	2,5	0,5s	77517-1836	3	NW 3	115,00
300	5	5	0,5	77517-1842	3	NW 3	105,00
300	5	5	0,5s	77517-1846	3	NW 3	115,00
400	5	2,5	0,5	77517-1932	3	NW 3	105,00
400	5	2,5	0,5s	77517-1936	3	NW 3	115,00
400	5	5	0,5s	77517-1946	3	NW 3	115,00
400	5	10	0,5s	77517-1966	3	NW 3	105,00
500	5	2,5	0,2	77517-2031	3	NW 3	105,00
500	5	2,5	0,5	77517-2032	3	NW 3	115,00
500	5	2,5	0,5s	77517-2036	3	NW 3	115,00
500	5	5	0,2	77517-2041	3	NW 3	105,00
500	5	5	0,5	77517-2042	3	NW 3	105,00
500	5	5	0,5s	77517-2046	3	NW 3	115,00
500	5	10	0,5	77517-2062	3	NW 3	105,00
500	5	10	0,5s	77517-2066	3	NW 3	115,00
600	5	2,5	0,2	77517-2131	3	NW 3	105,00
600	5	2,5	0,5	77517-2132	3	NW 3	105,00
600	5	2,5	0,5s	77517-2136	3	NW 3	115,00
600	5	5	0,2	77517-2141	3	NW 3	105,00
600	5	5	0,5	77517-2142	3	NW 3	105,00
600	5	5	0,5s	77517-2146	3	NW 3	115,00
600	5	10	0,5	77517-2162	3	NW 3	105,00
600	5	10	0,5s	77517-2166	3	NW 3	115,00
750	5	2,5	0,5	77517-2232	3	NW 3	105,00
750	5	2,5	0,5s	77517-2236	3	NW 3	115,00
750	5	5	0,2	77517-2241	3	NW 3	105,00
750	5	5	0,5	77517-2242	3	NW 3	105,00
750	5	5	0,5s	77517-2246	3	NW 3	115,00
750	5	10	0,5	77517-2262	3	NW 3	105,00
750	5	10	0,5s	77517-2266	3	NW 3	115,00
800	5	2,5	0,2	77517-2331	3	NW 3	105,00
800	5	2,5	0,5	77517-2332	3	NW 3	105,00
800	5	2,5	0,5s	77517-2336	3	NW 3	115,00
800	5	5	0,2	77517-2341	3	NW 3	105,00
800	5	5	0,5	77517-2342	3	NW 3	105,00
800	5	5	0,5s	77517-2346	3	NW 3	115,00
800	5	10	0,2	77517-2361	3	NW 3	105,00
800	5	10	0,5	77517-2362	3	NW 3	105,00
800	5	10	0,5s	77517-2366	3	NW 3	115,00
1000	5	2,5	0,2	77517-2431	3	NW 3	105,00
1000	5	2,5	0,5	77517-2432	3	NW 3	105,00
1000	5	2,5	0,5s	77517-2436	3	NW 3	115,00
1000	5	5	0,2	77517-2441	3	NW 3	105,00
1000	5	5	0,5	77517-2442	3	NW 3	105,00
1000	5	5	0,5s	77517-2446	3	NW 3	115,00
1000	5	10	0,2	77517-2461	3	NW 3	105,00
1000	5	10	0,5	77517-2462	3	NW 3	105,00
1000	5	10	0,5s	77517-2466	3	NW 3	115,00

Low Voltage Current Transformers

For more information
see page **336**

EPSA 517.2

Window Type Current Transformers, PTB approved

Primary Busbar 50 x 12 mm

Primary current in Amps	Secondary current in Amps	VA	accuracy class	Order-No.	PU	PG	Price €/pc.
200	5	2,5	0,2	77518-1631	3	NW 3	105,00
200	5	2,5	0,5	77518-1632	3	NW 3	105,00
200	5	5	0,5	77518-1642	3	NW 3	105,00
200	5	9	0,2	77518-1691	3	NW 3	105,00
250	5	2,5	0,2	77518-1731	3	NW 3	105,00
250	5	9	0,2	77518-1791	3	NW 3	105,00
300	5	2,5	0,2	77518-1831	3	NW 3	105,00
300	5	10	0,5	77518-1862	3	NW 3	105,00
300	5	10	0,5s	77518-1866	3	NW 3	115,00
300	5	9	0,2	77518-1891	3	NW 3	105,00
400	5	2,5	0,2	77518-1931	3	NW 3	105,00
400	5	5	0,2	77518-1941	3	NW 3	105,00
400	5	5	0,5	77518-1942	3	NW 3	105,00
400	5	10	0,5	77518-1962	3	NW 3	105,00
500	5	10	0,2	77518-2061	3	NW 3	105,00
600	5	10	0,2	77518-2161	3	NW 3	105,00
600	5	15	0,5	77518-2172	3	NW 3	105,00
600	5	15	0,5s	77518-2176	3	NW 3	115,00
750	5	10	0,2	77518-2261	3	NW 3	105,00
750	5	15	0,5s	77518-2276	3	NW 3	115,00
800	5	15	0,5	77518-2372	3	NW 3	105,00
800	5	15	0,5s	77518-2376	3	NW 3	115,00
1000	5	15	0,5	77518-2472	3	NW 3	105,00
1000	5	15	0,5s	77518-2476	3	NW 3	115,00

Low Voltage Current Transformers

 For more information
see page **336**


77516-1831

EP5A 514
Window Type Current Transformers, PTB approved

Primary Busbar 50 x 12 mm

Primary current in Amps	Secondary current in Amps	VA	accuracy class	Order-No.	PU	PG	Price €/pc.
300	5	2,5	0,2	77516-1831	3	NW 3	105,00
300	5	5	0,2	77516-1841	3	NW 3	105,00
300	5	5	0,5	77516-1842	3	NW 3	105,00
300	5	5	0,5s	77516-1846	3	NW 3	115,00
300	5	10	0,2	77516-1861	3	NW 3	105,00
300	5	10	0,5	77516-1862	3	NW 3	105,00
300	5	10	0,5s	77516-1866	3	NW 3	115,00
300	5	15	0,5	77516-1872	3	NW 3	105,00
300	5	15	0,5s	77516-1876	3	NW 3	115,00
400	5	2,5	0,2	77516-1931	3	NW 3	105,00
400	5	5	0,2	77516-1941	3	NW 3	105,00
400	5	5	0,5	77516-1942	3	NW 3	105,00
400	5	5	0,5s	77516-1946	3	NW 3	115,00
400	5	10	0,2	77516-1961	3	NW 3	105,00
400	5	10	0,5	77516-1962	3	NW 3	105,00
400	5	10	0,5s	77516-1966	3	NW 3	115,00
400	5	15	0,5	77516-1972	3	NW 3	105,00
400	5	15	0,5s	77516-1976	3	NW 3	115,00
500	5	5	0,2	77516-2041	3	NW 3	105,00
500	5	5	0,5	77516-2042	3	NW 3	105,00
500	5	5	0,5s	77516-2046	3	NW 3	115,00
500	5	10	0,2	77516-2061	3	NW 3	105,00
500	5	10	0,5	77516-2062	3	NW 3	105,00
500	5	10	0,5s	77516-2066	3	NW 3	115,00
500	5	15	0,5	77516-2072	3	NW 3	105,00
500	5	15	0,5s	77516-2076	3	NW 3	115,00
600	5	5	0,2	77516-2141	3	NW 3	105,00
600	5	5	0,5	77516-2142	3	NW 3	105,00
600	5	5	0,5s	77516-2146	3	NW 3	115,00
600	5	10	0,2	77516-2161	3	NW 3	105,00
600	5	10	0,5	77516-2162	3	NW 3	105,00
600	5	10	0,5s	77516-2166	3	NW 3	115,00
600	5	15	0,5	77516-2172	3	NW 3	105,00
600	5	15	0,5s	77516-2176	3	NW 3	115,00
600	5	30	0,5	77516-2182	3	NW 3	105,00
600	5	30	0,5s	77516-2186	3	NW 3	115,00
750	5	5	0,2	77516-2241	3	NW 3	105,00
750	5	5	0,5	77516-2242	3	NW 3	105,00
750	5	5	0,5s	77516-2246	3	NW 3	115,00
750	5	10	0,2	77516-2261	3	NW 3	105,00
750	5	10	0,5	77516-2262	3	NW 3	105,00
750	5	10	0,5s	77516-2266	3	NW 3	115,00
750	5	15	0,2	77516-2271	3	NW 3	105,00
750	5	15	0,5	77516-2272	3	NW 3	105,00
750	5	15	0,5s	77516-2276	3	NW 3	115,00
750	5	30	0,5	77516-2282	3	NW 3	105,00
750	5	30	0,5s	77516-2286	3	NW 3	115,00
800	5	5	0,2	77516-2341	3	NW 3	105,00
800	5	5	0,5	77516-2342	3	NW 3	105,00
800	5	5	0,5s	77516-2346	3	NW 3	115,00
800	5	10	0,2	77516-2361	3	NW 3	105,00
800	5	10	0,5	77516-2362	3	NW 3	105,00

Low Voltage Current Transformers

For more information
see page **336**



77516-2441

EPSA 514

Window Type Current Transformers, PTB approved

Primary Busbar 50 x 12 mm

Primary current in Amps	Secondary current in Amps	VA	accuracy class	Order-No.	PU	PG	Price €/pc.
800	5	10	0,5s	77516-2366	3	NW 3	115,00
800	5	15	0,2	77516-2371	3	NW 3	105,00
800	5	15	0,5	77516-2372	3	NW 3	105,00
800	5	15	0,5s	77516-2376	3	NW 3	115,00
800	5	30	0,2	77516-2381	3	NW 3	105,00
800	5	30	0,5	77516-2382	3	NW 3	105,00
800	5	30	0,5s	77516-2386	3	NW 3	115,00
1000	5	5	0,2	77516-2441	3	NW 3	105,00
1000	5	5	0,5	77516-2442	3	NW 3	115,00
1000	5	5	0,5s	77516-2446	3	NW 3	105,00
1000	5	10	0,2	77516-2461	3	NW 3	105,00
1000	5	10	0,5	77516-2462	3	NW 3	105,00
1000	5	10	0,5s	77516-2466	3	NW 3	115,00
1000	5	15	0,2	77516-2471	3	NW 3	105,00
1000	5	15	0,5	77516-2472	3	NW 3	105,00
1000	5	15	0,5s	77516-2476	3	NW 3	115,00
1000	5	30	0,2	77516-2481	3	NW 3	105,00
1000	5	30	0,5	77516-2482	3	NW 3	105,00
1000	5	30	0,5s	77516-2486	3	NW 3	115,00
1200	5	5	0,2	77516-2541	3	NW 3	105,00
1200	5	5	0,5	77516-2542	3	NW 3	105,00
1200	5	5	0,5s	77516-2546	3	NW 3	115,00
1200	5	10	0,2	77516-2561	3	NW 3	105,00
1200	5	10	0,5	77516-2562	3	NW 3	105,00
1200	5	10	0,5s	77516-2566	3	NW 3	115,00
1200	5	15	0,2	77516-2571	3	NW 3	105,00
1200	5	15	0,5	77516-2572	3	NW 3	105,00
1200	5	15	0,5s	77516-2576	3	NW 3	115,00
1200	5	30	0,2	77516-2581	3	NW 3	105,00
1200	5	30	0,5	77516-2582	3	NW 3	105,00
1200	5	30	0,5s	77516-2586	3	NW 3	115,00
1250	5	5	0,2	77516-2641	3	NW 3	105,00
1250	5	5	0,5	77516-2642	3	NW 3	105,00
1250	5	5	0,5s	77516-2646	3	NW 3	115,00
1250	5	10	0,2	77516-2661	3	NW 3	105,00
1250	5	10	0,5	77516-2662	3	NW 3	105,00
1250	5	10	0,5s	77516-2666	3	NW 3	115,00
1250	5	15	0,2	77516-2671	3	NW 3	105,00
1250	5	15	0,5	77516-2672	3	NW 3	105,00
1250	5	15	0,5s	77516-2676	3	NW 3	115,00
1250	5	30	0,2	77516-2681	3	NW 3	105,00
1250	5	30	0,5	77516-2682	3	NW 3	105,00
1250	5	30	0,5s	77516-2686	3	NW 3	115,00

Low Voltage Current Transformers

 For more information
see page **336**


77522-1832

EPSA 614
Window Type Current Transformers, PTB approved

Primary Busbar 60 x 10 mm

Primary current in Amps	Secondary current in Amps	VA	accuracy class	Order-No.	PU	PG	Price €/pc.
300	5	2,5	0,5	77522-1832	3	NW 3	65,00
300	5	2,5	0,5s	77522-1836	3	NW 3	85,00
300	5	5	0,5	77522-1842	3	NW 3	65,00
300	5	5	0,5s	77522-1846	3	NW 3	85,00
400	5	2,5	0,2	77522-1931	3	NW 3	65,00
400	5	2,5	0,5	77522-1932	3	NW 3	65,00
400	5	2,5	0,5s	77522-1936	3	NW 3	85,00
400	5	5	0,2	77522-1941	3	NW 3	65,00
400	5	5	0,5	77522-1942	3	NW 3	65,00
400	5	5	0,5s	77522-1946	3	NW 3	85,00
400	5	10	0,5	77522-1962	3	NW 3	65,00
400	5	10	0,5s	77522-1966	3	NW 3	85,00
500	5	2,5	0,2	77522-2031	3	NW 3	65,00
500	5	2,5	0,5	77522-2032	3	NW 3	65,00
500	5	2,5	0,5s	77522-2036	3	NW 3	85,00
500	5	5	0,2	77522-2041	3	NW 3	65,00
500	5	5	0,5	77522-2042	3	NW 3	65,00
500	5	5	0,5s	77522-2046	3	NW 3	85,00
500	5	10	0,5	77522-2062	3	NW 3	65,00
500	5	10	0,5s	77522-2066	3	NW 3	85,00
600	5	5	0,2	77522-2141	3	NW 3	65,00
600	5	5	0,5	77522-2142	3	NW 3	65,00
600	5	5	0,5s	77522-2146	3	NW 3	85,00
600	5	10	0,2	77522-2161	3	NW 3	65,00
600	5	10	0,5	77522-2162	3	NW 3	65,00
600	5	10	0,5s	77522-2166	3	NW 3	85,00
600	5	15	0,5	77522-2172	3	NW 3	65,00
600	5	15	0,5s	77522-2176	3	NW 3	85,00
750	5	5	0,2	77522-2241	3	NW 3	65,00
750	5	5	0,5	77522-2242	3	NW 3	65,00
750	5	5	0,5s	77522-2246	3	NW 3	85,00
750	5	10	0,2	77522-2261	3	NW 3	65,00
750	5	10	0,5	77522-2262	3	NW 3	65,00
750	5	10	0,5s	77522-2266	3	NW 3	85,00
750	5	15	0,5	77522-2272	3	NW 3	65,00
750	5	15	0,5s	77522-2276	3	NW 3	85,00
800	5	5	0,2	77522-2341	3	NW 3	65,00
800	5	5	0,5	77522-2342	3	NW 3	65,00
800	5	5	0,5s	77522-2346	3	NW 3	85,00
800	5	10	0,2	77522-2361	3	NW 3	65,00
800	5	10	0,5	77522-2362	3	NW 3	65,00
800	5	10	0,5s	77522-2366	3	NW 3	85,00
800	5	15	0,5	77522-2372	3	NW 3	65,00
800	5	15	0,5s	77522-2376	3	NW 3	85,00
1000	5	5	0,2	77522-2441	3	NW 3	65,00
1000	5	5	0,5	77522-2442	3	NW 3	65,00
1000	5	5	0,5s	77522-2446	3	NW 3	85,00
1000	5	10	0,2	77522-2461	3	NW 3	65,00
1000	5	10	0,5	77522-2462	3	NW 3	65,00
1000	5	10	0,5s	77522-2466	3	NW 3	on demand
1000	5	15	0,5	77522-2472	3	NW 3	65,00
1000	5	15	0,5s	77522-2476	3	NW 3	85,00

NW

Low Voltage Current Transformers

For more information
see page **336**



77522-2542

EPSA 614

Window Type Current Transformers, PTB approved

Primary Busbar 60 x 10 mm

Primary current in Amps	Secondary current in Amps	VA	accuracy class	Order-No.	PU	PG	Price €/pc.
1200	5	5	0,2	77522-2541	3	NW 3	65,00
1200	5	5	0,5	77522-2542	3	NW 3	65,00
1200	5	5	0,5s	77522-2546	3	NW 3	85,00
1200	5	10	0,2	77522-2561	3	NW 3	65,00
1200	5	10	0,5	77522-2562	3	NW 3	65,00
1200	5	10	0,5s	77522-2566	3	NW 3	85,00
1200	5	15	0,2	77522-2571	3	NW 3	65,00
1200	5	15	0,5	77522-2572	3	NW 3	65,00
1200	5	15	0,5s	77522-2576	3	NW 3	85,00
1200	5	30	0,5	77522-2582	3	NW 3	65,00
1200	5	30	0,5s	77522-2586	3	NW 3	85,00
1250	5	5	0,2	77522-2641	3	NW 3	65,00
1250	5	5	0,5	77522-2642	3	NW 3	65,00
1250	5	5	0,5s	77522-2646	3	NW 3	85,00
1250	5	10	0,2	77522-2661	3	NW 3	65,00
1250	5	10	0,5	77522-2662	3	NW 3	65,00
1250	5	10	0,5s	77522-2666	3	NW 3	85,00
1250	5	15	0,2	77522-2671	3	NW 3	65,00
1250	5	15	0,5	77522-2672	3	NW 3	65,00
1250	5	15	0,5s	77522-2676	3	NW 3	85,00
1250	5	30	0,2	77522-2681	3	NW 3	65,00
1250	5	30	0,5	77522-2682	3	NW 3	65,00
1250	5	30	0,5s	77522-2686	3	NW 3	85,00
1500	5	5	0,2	77522-2741	3	NW 3	65,00
1500	5	5	0,5	77522-2742	3	NW 3	65,00
1500	5	5	0,5s	77522-2746	3	NW 3	85,00
1500	5	10	0,2	77522-2761	3	NW 3	65,00
1500	5	10	0,5	77522-2762	3	NW 3	65,00
1500	5	10	0,5s	77522-2766	3	NW 3	85,00
1500	5	15	0,2	77522-2771	3	NW 3	65,00
1500	5	15	0,5	77522-2772	3	NW 3	65,00
1500	5	15	0,5s	77522-2776	3	NW 3	85,00
1500	5	30	0,2	77522-2781	3	NW 3	65,00
1500	5	30	0,5	77522-2782	3	NW 3	65,00
1500	5	30	0,5s	77522-2786	3	NW 3	85,00

Low Voltage Current Transformers

For more information
see page **336**



77523-2032

EPSA 634

Window Type Current Transformers, PTB approved

Primary Busbar 60 x 30 mm

Primary current in Amps	Secondary current in Amps	VA	accuracy class	Order-No.	PU	PG	Price €/pc.
400	5	2,5	0,2	77523-1931	3	NW 3	65,00
400	5	2,5	0,5	77523-1932	3	NW 3	65,00
400	5	2,5	0,5s	77523-1936	3	NW 3	85,00
400	5	5	0,5	77523-1942	3	NW 3	65,00
400	5	5	0,5s	77523-1946	3	NW 3	85,00
500	5	2,5	0,2	77523-2031	3	NW 3	65,00
500	5	2,5	0,5	77523-2032	3	NW 3	65,00
500	5	2,5	0,5s	77523-2036	3	NW 3	85,00
500	5	5	0,2	77523-2041	3	NW 3	65,00
500	5	5	0,5	77523-2042	3	NW 3	65,00
500	5	5	0,5s	77523-2046	3	NW 3	85,00
500	5	10	0,5	77523-2062	3	NW 3	65,00
500	5	10	0,5s	77523-2066	3	NW 3	85,00
600	5	2,5	0,2	77523-2131	3	NW 3	65,00
600	5	5	0,2	77523-2141	3	NW 3	65,00
750	5	2,5	0,2	77523-2231	3	NW 3	65,00
750	5	5	0,2	77523-2241	3	NW 3	65,00
750	5	10	0,2	77523-2261	3	NW 3	65,00
800	5	2,5	0,2	77523-2331	3	NW 3	65,00
800	5	5	0,2	77523-2341	3	NW 3	65,00
800	5	5	0,5	77523-2342	3	NW 3	65,00
800	5	5	0,5s	77523-2346	3	NW 3	85,00
800	5	10	0,2	77523-2361	3	NW 3	65,00
800	5	10	0,5	77523-2362	3	NW 3	65,00
800	5	10	0,5s	77523-2366	3	NW 3	85,00
800	5	15	0,5	77523-2372	3	NW 3	65,00
800	5	15	0,5s	77523-2376	3	NW 3	85,00
1000	5	5	0,2	77523-2441	3	NW 3	65,00
1000	5	5	0,5	77523-2442	3	NW 3	65,00
1000	5	5	0,5s	77523-2446	3	NW 3	85,00
1000	5	10	0,2	77523-2461	3	NW 3	65,00
1000	5	10	0,5	77523-2462	3	NW 3	65,00
1000	5	10	0,5s	77523-2466	3	NW 3	85,00
1000	5	15	0,5	77523-2472	3	NW 3	65,00
1000	5	15	0,5s	77523-2476	3	NW 3	85,00
1000	5	30	0,5	77523-2482	3	NW 3	65,00
1000	5	30	0,5s	77523-2486	3	NW 3	85,00
1200	5	5	0,2	77523-2541	3	NW 3	65,00
1200	5	5	0,5	77523-2542	3	NW 3	65,00
1200	5	5	0,5s	77523-2546	3	NW 3	85,00

Low Voltage Current Transformers

For more information
see page 336

EPSA 634

Window Type Current Transformers, PTB approved

Primary Busbar 60 x 30 mm

Primary current in Amps	Secondary current in Amps	VA	accuracy class	Order-No.	PU	PG	Price €/pc.
1200	5	10	0,2	77523-2561	3	NW 3	65,00
1200	5	10	0,5	77523-2562	3	NW 3	65,00
1200	5	10	0,5s	77523-2566	3	NW 3	85,00
1200	5	15	0,5	77523-2572	3	NW 3	65,00
1200	5	15	0,5s	77523-2576	3	NW 3	85,00
1200	5	30	0,5	77523-2582	3	NW 3	65,00
1200	5	30	0,5s	77523-2586	3	NW 3	85,00
1250	5	5	0,2	77523-2641	3	NW 3	65,00
1250	5	5	0,5	77523-2642	3	NW 3	85,00
1250	5	5	0,5s	77523-2646	3	NW 3	85,00
1250	5	10	0,2	77523-2661	3	NW 3	65,00
1250	5	10	0,5	77523-2662	3	NW 3	65,00
1250	5	10	0,5s	77523-2666	3	NW 3	85,00
1250	5	15	0,2	77523-2671	3	NW 3	65,00
1250	5	15	0,5	77523-2672	3	NW 3	65,00
1250	5	15	0,5s	77523-2676	3	NW 3	85,00
1250	5	30	0,5	77523-2682	3	NW 3	65,00
1250	5	30	0,5s	77523-2686	3	NW 3	85,00
1500	5	5	0,2	77523-2741	3	NW 3	65,00
1500	5	5	0,5	77523-2742	3	NW 3	65,00
1500	5	5	0,5s	77523-2746	3	NW 3	85,00
1500	5	10	0,2	77523-2761	3	NW 3	65,00
1500	5	10	0,5	77523-2762	3	NW 3	65,00
1500	5	10	0,5s	77523-2766	3	NW 3	85,00
1500	5	15	0,2	77523-2771	3	NW 3	65,00
1500	5	15	0,5	77523-2772	3	NW 3	65,00
1500	5	15	0,5s	77523-2776	3	NW 3	85,00
1500	5	30	0,5	77523-2782	3	NW 3	65,00
1500	5	30	0,5s	77523-2786	3	NW 3	85,00
1600	5	5	0,2	77523-2841	3	NW 3	65,00
1600	5	5	0,5	77523-2842	3	NW 3	65,00
1600	5	5	0,5s	77523-2846	3	NW 3	85,00
1600	5	10	0,2	77523-2861	3	NW 3	65,00
1600	5	10	0,5	77523-2862	3	NW 3	65,00
1600	5	10	0,5s	77523-2866	3	NW 3	85,00
1600	5	15	0,2	77523-2871	3	NW 3	65,00
1600	5	15	0,5	77523-2872	3	NW 3	65,00
1600	5	15	0,5s	77523-2876	3	NW 3	85,00
1600	5	30	0,5	77523-2882	3	NW 3	65,00
1600	5	30	0,5s	77523-2886	3	NW 3	85,00
2000	5	5	0,2	77523-2941	3	NW 3	65,00
2000	5	5	0,5	77523-2942	3	NW 3	65,00
2000	5	5	0,5s	77523-2946	3	NW 3	85,00
2000	5	10	0,2	77523-2961	3	NW 3	65,00
2000	5	10	0,5	77523-2962	3	NW 3	65,00
2000	5	10	0,5s	77523-2966	3	NW 3	85,00
2000	5	15	0,2	77523-2971	3	NW 3	65,00
2000	5	15	0,5	77523-2972	3	NW 3	65,00
2000	5	15	0,5s	77523-2976	3	NW 3	85,00
2000	5	30	0,5	77523-2982	3	NW 3	65,00
2000	5	30	0,5s	77523-2986	3	NW 3	85,00

Low Voltage Current Transformers

 For more information
see page **336**


77524-1932

EPSA 814
Window Type Current Transformers, PTB approved

Primary Busbar 80 x 10 mm

Primary current in Amps	Secondary current in Amps	VA	accuracy class	Order-No.	PU	PG	Price €/pc.
400	5	2,5	0,5	77524-1932	3	NW 3	67,00
400	5	2,5	0,5s	77524-1936	3	NW 3	87,00
400	5	5	0,5	77524-1942	3	NW 3	67,00
400	5	5	0,5s	77524-1946	3	NW 3	87,00
500	5	2,5	0,2	77524-2031	3	NW 3	67,00
500	5	2,5	0,5	77524-2032	3	NW 3	67,00
500	5	2,5	0,5s	77524-2036	3	NW 3	87,00
500	5	5	0,5	77524-2042	3	NW 3	67,00
500	5	5	0,5s	77524-2046	3	NW 3	87,00
600	5	2,5	0,2	77524-2131	3	NW 3	67,00
600	5	2,5	0,5	77524-2132	3	NW 3	67,00
600	5	2,5	0,5s	77524-2136	3	NW 3	87,00
600	5	5	0,5	77524-2142	3	NW 3	67,00
600	5	5	0,5s	77524-2146	3	NW 3	87,00
600	5	10	0,5	77524-2162	3	NW 3	67,00
750	5	2,5	0,2	77524-2231	3	NW 3	67,00
750	5	2,5	0,5	77524-2232	3	NW 3	67,00
750	5	2,5	0,5s	77524-2236	3	NW 3	87,00
750	5	5	0,2	77524-2241	3	NW 3	67,00
750	5	5	0,5	77524-2242	3	NW 3	67,00
750	5	5	0,5s	77524-2246	3	NW 3	87,00
750	5	10	0,5	77524-2262	3	NW 3	67,00
750	5	10	0,5s	77524-2266	3	NW 3	87,00
800	5	2,5	0,2	77524-2331	3	NW 3	67,00
800	5	5	0,2	77524-2341	3	NW 3	67,00
800	5	5	0,5	77524-2342	3	NW 3	67,00
800	5	5	0,5s	77524-2346	3	NW 3	87,00
800	5	10	0,5	77524-2362	3	NW 3	67,00
800	5	10	0,5s	77524-2366	3	NW 3	87,00
1000	5	2,5	0,2	77524-2431	3	NW 3	67,00
1000	5	5	0,2	77524-2441	3	NW 3	67,00
1000	5	5	0,5	77524-2442	3	NW 3	67,00
1000	5	5	0,5s	77524-2446	3	NW 3	87,00
1000	5	10	0,5	77524-2462	3	NW 3	67,00
1000	5	10	0,5s	77524-2466	3	NW 3	87,00
1000	5	15	0,5	77524-2472	3	NW 3	67,00
1000	5	15	0,5s	77524-2476	3	NW 3	87,00
1200	5	2,5	0,2	77524-2531	3	NW 3	67,00
1200	5	5	0,2	77524-2541	3	NW 3	67,00
1200	5	5	0,5	77524-2542	3	NW 3	67,00
1200	5	5	0,5s	77524-2546	3	NW 3	87,00
1200	5	10	0,5	77524-2562	3	NW 3	67,00
1200	5	10	0,5s	77524-2566	3	NW 3	87,00
1200	5	15	0,5	77524-2572	3	NW 3	67,00
1200	5	15	0,5s	77524-2576	3	NW 3	87,00
1250	5	2,5	0,2	77524-2631	3	NW 3	67,00
1250	5	5	0,2	77524-2641	3	NW 3	67,00
1250	5	5	0,5	77524-2642	3	NW 3	67,00
1250	5	5	0,5s	77524-2646	3	NW 3	87,00
1250	5	10	0,5	77524-2662	3	NW 3	67,00
1250	5	10	0,5s	77524-2666	3	NW 3	87,00
1250	5	15	0,5	77524-2672	3	NW 3	67,00

Low Voltage Current Transformers

For more information
see page **336**



77524-1932

EPSA 814

Window Type Current Transformers, PTB approved

Primary Busbar 80 x 10 mm

Primary current in Amps	Secondary current in Amps	VA	accuracy class	Order-No.	PU	PG	Price €/pc.
1250	5	15	0,5s	77524-2676	3	NW 3	87,00
1500	5	2,5	0,2	77524-2731	3	NW 3	67,00
1500	5	5	0,2	77524-2741	3	NW 3	67,00
1500	5	5	0,5	77524-2742	3	NW 3	67,00
1500	5	5	0,5s	77524-2746	3	NW 3	87,00
1500	5	10	0,5	77524-2762	3	NW 3	67,00
1500	5	10	0,5s	77524-2766	3	NW 3	87,00
1500	5	15	0,5	77524-2772	3	NW 3	67,00
1500	5	15	0,5s	77524-2776	3	NW 3	87,00
1600	5	2,5	0,2	77524-2831	3	NW 3	67,00
1600	5	5	0,2	77524-2841	3	NW 3	67,00
1600	5	5	0,5	77524-2842	3	NW 3	67,00
1600	5	5	0,5s	77524-2846	3	NW 3	87,00
1600	5	10	0,5	77524-2862	3	NW 3	67,00
1600	5	10	0,5s	77524-2866	3	NW 3	87,00
1600	5	15	0,5	77524-2872	3	NW 3	67,00
1600	5	15	0,5s	77524-2876	3	NW 3	87,00

Low Voltage Current Transformers

 For more information
see page **336**


77525-3072

EPSA 1034
Window Type Current Transformers, PTB approved

Primary Busbar 2 x 100 x 10 (80 x 50) mm

Primary current in Amps	Secondary current in Amps	VA	accuracy class	Order-No.	PU	PG	Price €/pc.
600	5	2,5	0,5	77525-2132	1	NW 3	69,00
600	5	5	0,5	77525-2142	1	NW 3	69,00
600	5	5	0,5s	77525-2146	1	NW 3	79,00
600	5	10	0,5	77525-2162	1	NW 3	67,00
600	5	10	0,5s	77525-2166	1	NW 3	79,00
750	5	2,5	0,2	77525-2231	1	NW 3	69,00
750	5	2,5	0,5	77525-2232	1	NW 3	69,00
750	5	2,5	0,5s	77525-2236	1	NW 3	79,00
750	5	5	0,5	77525-2242	1	NW 3	69,00
750	5	5	0,5s	77525-2246	1	NW 3	79,00
750	5	10	0,5	77525-2262	1	NW 3	69,00
750	5	10	0,5s	77525-2266	1	NW 3	79,00
800	5	2,5	0,2	77525-2331	1	NW 3	69,00
800	5	2,5	0,5	77525-2332	1	NW 3	69,00
800	5	2,5	0,5s	77525-2336	1	NW 3	79,00
800	5	5	0,5	77525-2342	1	NW 3	69,00
800	5	5	0,5s	77525-2346	1	NW 3	79,00
800	5	10	0,5	77525-2362	1	NW 3	69,00
800	5	10	0,5s	77525-2366	1	NW 3	79,00
800	5	15	0,5	77525-2372	1	NW 3	69,00
800	5	15	0,5s	77525-2376	1	NW 3	79,00
1000	5	2,5	0,2	77525-2431	1	NW 3	69,00
1000	5	2,5	0,5	77525-2432	1	NW 3	69,00
1000	5	2,5	0,5s	77525-2436	1	NW 3	79,00
1000	5	5	0,2	77525-2441	1	NW 3	69,00
1000	5	5	0,5	77525-2442	1	NW 3	69,00
1000	5	5	0,5s	77525-2446	1	NW 3	79,00
1000	5	10	0,5	77525-2462	1	NW 3	69,00
1000	5	10	0,5s	77525-2466	1	NW 3	79,00
1000	5	15	0,5	77525-2472	1	NW 3	69,00
1000	5	15	0,5s	77525-2476	1	NW 3	79,00
1200	5	2,5	0,2	77525-2531	1	NW 3	69,00
1200	5	5	0,2	77525-2541	1	NW 3	69,00
1200	5	5	0,5	77525-2542	1	NW 3	69,00
1200	5	5	0,5s	77525-2546	1	NW 3	79,00
1200	5	10	0,2	77525-2561	1	NW 3	69,00
1200	5	10	0,5	77525-2562	1	NW 3	69,00
1200	5	10	0,5s	77525-2566	1	NW 3	79,00
1200	5	15	0,5	77525-2572	1	NW 3	69,00
1200	5	15	0,5s	77525-2576	1	NW 3	79,00
1250	5	2,5	0,2	77525-2631	1	NW 3	85,00
1250	5	2,5	0,5s	77525-2636	1	NW 3	79,00
1250	5	5	0,2	77525-2641	1	NW 3	69,00
1250	5	5	0,5	77525-2642	1	NW 3	69,00
1250	5	5	0,5s	77525-2646	1	NW 3	79,00
1250	5	10	0,2	77525-2661	1	NW 3	69,00
1250	5	10	0,5	77525-2662	1	NW 3	69,00
1250	5	10	0,5s	77525-2666	1	NW 3	79,00
1250	5	15	0,5	77525-2672	1	NW 3	69,00
1250	5	15	0,5s	77525-2676	1	NW 3	79,00
1500	5	5	0,2	77525-2741	1	NW 3	69,00
1500	5	5	0,5	77525-2742	1	NW 3	69,00

Low Voltage Current Transformers

For more information
see page **336**



77525-3072

EPSA 1034

Window Type Current Transformers, PTB approved

Primary Busbar 2 x 100 x 10 (80 x 50) mm

Primary current in Amps	Secondary current in Amps	VA	accuracy class	Order-No.	PU	PG	Price €/pc.
1500	5	5	0,5s	77525-2746	1	NW 3	79,00
1500	5	10	0,2	77525-2761	1	NW 3	69,00
1500	5	10	0,5	77525-2762	1	NW 3	69,00
1500	5	10	0,5s	77525-2766	1	NW 3	79,00
1500	5	15	0,5	77525-2772	1	NW 3	69,00
1500	5	15	0,5s	77525-2776	1	NW 3	79,00
1500	5	30	0,5	77525-2782	1	NW 3	69,00
1500	5	30	0,5s	77525-2786	1	NW 3	79,00
1600	5	5	0,2	77525-2841	1	NW 3	69,00
1600	5	5	0,5	77525-2842	1	NW 3	69,00
1600	5	5	0,5s	77525-2846	1	NW 3	79,00
1600	5	10	0,2	77525-2861	1	NW 3	69,00
1600	5	10	0,5	77525-2862	1	NW 3	69,00
1600	5	10	0,5s	77525-2866	1	NW 3	79,00
1600	5	15	0,5	77525-2872	1	NW 3	69,00
1600	5	15	0,5s	77525-2876	1	NW 3	79,00
1600	5	30	0,5	77525-2882	1	NW 3	69,00
1600	5	30	0,5s	77525-2886	1	NW 3	79,00
2000	5	5	0,2	77525-2941	1	NW 3	72,00
2000	5	5	0,5	77525-2942	1	NW 3	72,00
2000	5	5	0,5s	77525-2946	1	NW 3	81,00
2000	5	10	0,2	77525-2961	1	NW 3	72,00
2000	5	10	0,5	77525-2962	1	NW 3	72,00
2000	5	10	0,5s	77525-2966	1	NW 3	91,00
2000	5	15	0,2	77525-2971	1	NW 3	72,00
2000	5	15	0,5	77525-2972	1	NW 3	72,00
2000	5	15	0,5s	77525-2976	1	NW 3	82,00
2000	5	30	0,5	77525-2982	1	NW 3	72,00
2000	5	30	0,5s	77525-2986	1	NW 3	82,00
2400	5	5	0,2	77525-3041	1	NW 3	72,00
2400	5	5	0,5	77525-3042	1	NW 3	72,00
2400	5	5	0,5s	77525-3046	1	NW 3	82,00
2400	5	10	0,2	77525-3061	1	NW 3	72,00
2400	5	10	0,5	77525-3062	1	NW 3	72,00
2400	5	10	0,5s	77525-3066	1	NW 3	82,00
2400	5	15	0,2	77525-3071	1	NW 3	72,00
2400	5	15	0,5	77525-3072	1	NW 3	72,00
2400	5	15	0,5s	77525-3076	1	NW 3	82,00
2400	5	30	0,5	77525-3082	1	NW 3	72,00
2400	5	30	0,5s	77525-3086	1	NW 3	82,00
2500	5	5	0,2	77525-3141	1	NW 3	72,00
2500	5	5	0,5	77525-3142	1	NW 3	72,00
2500	5	5	0,5s	77525-3146	1	NW 3	82,00
2500	5	10	0,2	77525-3161	1	NW 3	72,00
2500	5	10	0,5	77525-3162	1	NW 3	72,00
2500	5	10	0,5s	77525-3166	1	NW 3	82,00
2500	5	15	0,2	77525-3171	1	NW 3	72,00
2500	5	15	0,5	77525-3172	1	NW 3	72,00
2500	5	15	0,5s	77525-3176	1	NW 3	82,00
2500	5	30	0,5	77525-3182	1	NW 3	72,00
2500	5	30	0,5s	77525-3186	1	NW 3	82,00
3000	5	30	0,5s	77525-3286	1	NW 3	82,00

Low Voltage Current Transformers

For more information
see page **336**



36282-0010

Clip-on Current Transformers for the applications with NH Fuse-Switches, vertical design, size 1-3, series 2000 and NTSL

Properties:

- Set for 1-phase measurement

Description	VA	accuracy class	Ratio	Order-No.	PU	PG	Sur. Ag	Sur. Cu	Price €/pc.
1 current transformers + 2 housing + 3 copper tubes	2,5	1	150/5	36282-0010	1	NZ 4			36,40
1 current transformers + 2 housing + 3 copper tubes	5	1	200/5	36282-0020	1	NZ 4			36,40
1 current transformers + 2 housing + 3 copper tubes	5	1	250/5	36282-0030	1	NZ 4			36,40
1 current transformers + 2 housing + 3 copper tubes	5	1	300/5	36282-0040	1	NZ 4			36,40
1 current transformers + 2 housing + 3 copper tubes	5	1	400/5	36282-0050	1	NZ 4			39,60
1 current transformers + 2 housing + 3 copper tubes	10	1	500/5	36282-0060	1	NZ 4			39,60
1 current transformers + 2 housing + 3 copper tubes	10	1	600/5	36282-0070	1	NZ 4			39,60



36283-0030

Clip-on Current Transformers or the applications with NH Fuse-Switches, vertical design, size 1-3, series 2000 and NTSL

Properties:

- Set for 3-phase measurement

Description	VA	accuracy class	Ratio	Order-No.	PU	PG	Sur. Ag	Sur. Cu	Price €/pc.
3 current transformers + 3 copper tubes	2,5	1	150/5	36283-0010	1	NZ 4			71,80
3 current transformers + 3 copper tubes	5	1	200/5	36283-0020	1	NZ 4			71,80
3 current transformers + 3 copper tubes	5	1	250/5	36283-0030	1	NZ 4			71,80
3 current transformers + 3 copper tubes	5	1	300/5	36283-0040	1	NZ 4			71,80
3 current transformers + 3 copper tubes	5	1	400/5	36283-0050	1	NZ 4			80,50
3 current transformers + 3 copper tubes	10	1	500/5	36283-0060	1	NZ 4			80,50
3 current transformers + 3 copper tubes	10	1	600/5	36283-0070	1	NZ 4			80,50
3 housings + copper tubes or the application up to 400 A (Dummy)				36319-0010	1	NZ 4			20,30
3 housings + copper tubes or the application up to 630 A (Dummy)				36320-0010	1	NZ 4			27,80

Low Voltage Current Transformers

For more information
see page **336**



77281-1023

Transformer Block for NH Fuse-Switches - vertical design, size 00, series IN and N

Properties:

- For 1-phase measurement

Description	VA	accuracy class	Ratio	Order-No.	PU	PG	Sur. Ag	Sur. Cu	Price €/pc.
Transformer Block	1,5	1	60/5	77281-1023	1	NSL 00IN			47,10
Transformer Block	2,5	1	100/5	77281-1333	1	NSL 00IN			47,10
Transformer Block	2,5	1	125/5	77281-1433	1	NSL 00IN			47,10
Transformer Block	2,5	1	150/5	77281-1533	1	NSL 00IN			47,10
Transformer Block	2,5	1	160/5	77281-4433	1	NSL 00IN			47,10
Transformer Block	5	1	160/5	77281-4443	1	NSL 00IN			47,10



77280-1023

Transformer Block for NH Fuse-Switches - vertical design, size 00, series IN and N

Properties:

- For 3-phase measurement

Description	VA	accuracy class	Ratio	Order-No.	PU	PG	Sur. Ag	Sur. Cu	Price €/pc.
Transformer Block	1,5	1	60/5	77280-1023	1	NSL 00IN			74,90
Transformer Block	2,5	1	100/5	77280-1333	1	NSL 00IN			74,90
Transformer Block	2,5	1	125/5	77280-1433	1	NSL 00IN			74,90
Transformer Block	2,5	1	150/5	77280-1533	1	NSL 00IN			74,90
Transformer Block	2,5	1	160/5	77280-4433	1	NSL 00IN			74,90
Transformer Block	5	1	160/5	77280-4443	1	NSL 00IN			74,90



36892-0010

Accessories

Description	Type	Order-No.	PU	PG	Sur. Ag	Sur. Cu	Price €/pc.
Primary conductor copper 21 x 12,5 32 length	diameter 21 mm, drilling 12,5 mm, 32 mm length	36551-0010	1				on demand
Primary conductor copper 30 x 12,5 32 length	diameter 21 mm, drilling 12,5 mm, 52 mm length for ct s PSR 253/30	36561-0010	1	NW 5			9,95
Primary conductor copper 21 x 8,5 32 length	diameter 21 mm, drilling 8,5 mm, 32 mm length for ct s PSR 200.1 PSR 203	36563-0010	1	NW 5			8,90
Primary conductor copper 22,5 x 12,5 32 length	diameter 22,5 mm, drilling 12,5 mm, 32 mm length for ct s PSR 253	36565-0010	1	NW 5			6,65
Primary conductor copper 21 x 12,5 52 length	diameter 21 mm, drilling 12,5 mm, 52 mm length for ct s PSR 205	36584-0010	1	NW 5			5,60
Primary conductor copper 21 x 8,5 52 length blank	diameter 21 mm, drilling 8,5 mm, 52 mm length for ct s PSR 205	36628-0010	1	netto			on demand
Secondary terminal cover for PSA 213-413	for ct s PSA 213 PSA 313 PSA 413 PSR 253 PSR 253/30	36552-0010	1				on demand
Secondary terminal cover for PSA 215-415/317.1- 517.1	for ct s PSA 215 PSA 315 PSA 417.1 PSA 517.1 PSW 55	36553-0010	1				on demand
Secondary terminal cover for PSA 513/613/623/624	for ct s PSA 513 PSA 613 PSA 623 PSA 625 PSA 633	36554-0010	1				on demand
Secondary terminal cover für PSA 113 and 203	for ct s PSA 113 PSA 203	36562-0010	1				on demand
Secondary terminal cover for PSA 514, 614, 634, 814, 1034, 1254, 1274	for ct s PSA 514 PSA 614 PSA 814 PSA 1034 PSA 1254 PSA 1274	36614-0010	1	NW 5			2,25
DIN Rail Mounting for PSA 213, 113, 313, 413 / PSR 200, 200.1, 203, 253 and 253/30	for ct s PSA 213 PSA 113 PSA 313 PSA 413 PSR 203 PSR 253 PSR 253/30	36555-0010	1				3,20
Solid link size 2 for current transformer	NH Solid-link for the application with low voltage current transformers	36717-0010	1				on demand
Clamp cover		36892-0010	1	NW 5			3,35
Housing + Primary conductor (Dummy)		77282-0000	1	NSL 00IN			21,40

Product range overview

	Primary conductor	Primary current range	accuracy classes
Window type current transformer	20 mm x 10 mm – 4x 120 mm x 10 mm	30 A – 6000 A	1/0.5 *
Window type CTs PTB approved	20 mm x 10 mm – 4x 120 mm x 10 mm	50 A – 5000 A	0.5 / 0.2 / 0.5S / 0.2S
Tube type CTs	Ø 21 mm – Ø 30 mm	50 A – 1000 A	1 / 0.5 / 0.5S
Tube type CTs PTB approved	Ø 21 mm – Ø 30 mm	75 A – 600 A	0.5 / 0.5S
Primary wound CTs	–	1 A – 200 A	0.5 / 0.2 / 0.5S / 0.2S
Summation CTs	2 – 10 circuit	1 A & 5 A	1 / 0.5 *
Summation CTs PTB approved	2 – 10 circuit	1 A & 5 A	0.2

* higher accuracy classes available on demand

Overview window type CTs

CT type	PSA 213	PSA 215	PSA 113	PSA 115	PSA 313	PSA 315	PSA 413	PSA 415
CT dimensions [mm]	78 x 60 x 30	85 x 60 x 55	70 x 50 x 30	70 x 50 x 50	78 x 60 x 30	85 x 60 x 55	78 x 60 x 30	85 x 60 x 55
Primary busbar size [mm]	20 x 10	20 x 10	30 x 10	30 x 10	30 x 10	30 x 10	40 x 10(12)	40 x 10(12)
max. primary round cable size [mm]	20	20	–	–	28	28	28	32

Rated secondary current 5 A or 1 A

Accuracy class	0,5	1	0,5	1	0,5	1	0,5	1	0,5	1	0,5	1	0,5	1	0,5	1
Min. Primary current	75	50	100	50	150	60	100	50	100	100	75	75	200	150	–	150
Max. Primary current	300	300	300	300	600	600	600	600	600	600	600	600	800	800	–	800

CT type	PSA 513	PSA 613	PSA 633	PSA 814	PSA 1034	PSA 1254	PSA 1274
CT dimensions [mm]	108 x 85 x 30	108 x 85 x 30	108 x 85 x 30	122 x 100 x 40	160 x 135 x 40	200 x 160 x 40	200 x 160 x 40
Primary busbar size [mm]	50 x 10(12)	60 x 10	60 x 30	80 x 10	3 x 100 x 10*	3 x 120 x 10*	4 x 120 x 10*
max. primary round cable size [mm]	45	45	–	60	85	98	–

Rated secondary current 5 A or 1 A

Accuracy class	0,5	1	0,5	1	0,5	1	0,5	1	0,5	1	0,5	1	0,5	1
Min. Primary current	250	200	400	300	400	300	400	400	400	400	800	800	800	800
Max. Primary current	1250	1250	1600	1600	1600	1600	2000	2000	4000	4000	5000	5000	5000	5000

* busbars can be fastent at a 10mm distance

Overview Tube Type Ct's

CT type	PSA 200	PSA 200.1	PSA 203	PSA 205	PSA 253	PSA 253/30
CT dimensions [mm]	65 x 44 x 30	65 x 44 x 30	70 x 50 x 30	70 x 50 x 50	78 x 60 x 30	78 x 60 x 30
max. primary round cable size [mm]						

Rated secondary current 5 A or 1 A

Accuracy class	0,5	1	0,5	1	0,5	1	0,5	1	0,5	1	0,5	1
Min. Primary current	100	50	100	50	80	75	50	50	75	50	125	100
Max. Primary current	300	300	300	300	300	300	300	300	600	600	1000	1000

Technical Data acc. to VDE 0414 T44-1 & IEC/EN 60044-1

Primary rated current I_{1N}	Window Type CTs	40 A – 6000 A
	Primary Wounded CTs	1 A – 200 A
	Tube Unit Current Transformer	50 A – 1000 A
	Summation CTs	1 A & 5 A up to 10 cycles
Rated secondary current I_{2N}	1 A & 5 A	
Rated frequency	50 – 60 Hz (on demand special types 16 ^{2/3} – 400 Hz)	
Highest voltage for equipment U_m (r.m.s)	720 V (on demand special types up to 1200V)	
Rated power–frequency withstand voltage (r.m.s)	3 kV (on demand special types up to 6kV)	
Instrument security factor (FS)	FS 5	
Rated continuous thermal current	$1,2 * I_{1N}$	
Current rating	120 %	
Rated short-time thermal current	$I_{th} = 60 * I_{1N}$ max. 50 kA	
Rated dynamic current	$I_{dyn} = 2,5 * I_{th}$ max.120 kA	
Permissible ambient temperature	-40 °C – + 40 °C	
Class of insulation in accordance with IEC 60085	E (B and F on demand)	
Degree of protection DIN/EN 60529/VDE 0470 T1	IP 20	
Recommended tightening torque secondary terminals	1,5 – 2 Nm	

Information on how to select the right current transformer

The CT should firstly be selected according to the dimensions and the distance between busbars.

Effective Range

Current transformer can generally be used up to 1.2 times of the primary current. In this range the measurement will be fine respective the given accuracy class. For an 630 A busbar system an 600 A CT can may be used. The measurement will be within range of the given accuracy up to 720 A.

Burden of CTs

The measurement within the accuracy class is guaranteed if the consumed power output on the CT is between the rated burden of the CT and the 1/4 of the rated burden. For current transformers with a rated burden of 2,5 VA or lower, the accuracy class is maintained at 1/2 of the rated burden.

Ground on secondary circuit

It is not necessary to earth the secondary circuit on EFEN low voltage transformers because they have no large-scale metal parts on the housing. (in acc. to IEC 60044-1)

Power Consumption

The power demand of CTs is determined by the following connected cables and ampere meters. It is possible to connect two ampere meters in series. This will increase the power demand.

According to Ohm's law the power consumption for 1 A CTs is much lower then 5 A CTs. In case of long cable connections > 10 m CTs with 1 A secondary current should be selected.

Power consumption of two wire cable in VA for secondary currents of 5 A

Cross-section	Power consumption in VA acc. to cable length									
	1 m	2 m	4 m	6 m	8 m	10 m	15 m	20 m	30 m	40 m
1,5 mm ²	0,60	1,19	2,38	3,57	4,76	5,95	8,93	11,90	17,86	23,81
2,5 mm ²	0,36	0,71	1,43	2,14	2,86	3,57	5,36	7,14	10,71	14,29
4 mm ²	0,22	0,45	0,89	1,34	1,79	2,23	3,35	4,46	6,70	8,93
6 mm ²	0,15	0,30	0,60	0,89	1,19	1,49	2,23	2,98	4,46	5,95
10 mm ²	0,09	0,18	0,36	0,54	0,71	0,89	1,34	1,79	2,68	3,57

Power consumption of two wire cable in VA for secondary currents of 1 A

Cross-section	Power consumption in VA acc. to cable length									
	10 m	20 m	30 m	40 m	50 m	60 m	70 m	80 m	90 m	100 m
1 mm ²	0,36	0,71	1,07	1,43	1,79	2,14	2,50	2,86	3,21	3,57
1,5 mm ²	0,24	0,48	0,71	0,95	1,19	1,43	1,67	1,90	2,14	2,38
2,5 mm ²	0,14	0,29	0,43	0,57	0,71	0,86	1,00	1,14	1,29	1,43
4 mm ²	0,09	0,18	0,27	0,36	0,45	0,54	0,63	0,71	0,80	0,89
6 mm ²	0,06	0,12	0,18	0,24	0,30	0,36	0,42	0,48	0,54	0,60
10 mm ²	0,04	0,07	0,11	0,14	0,18	0,21	0,25	0,29	0,32	0,36

The power consumption of metering-device and cable connection should be between the rated power output (rated burden) and 1/4 the rated power output of the current transformer.

Then the secondary current will be inside the given precision class of the CT.

$S_{CT} > 2,5 \text{ VA}$	$S_{CT} > S_{Cable} + S_{Meter} > \frac{1}{4} S_{CT}$
$S_{CT} \leq 2,5 \text{ VA}$	$S_{CT} > S_{Cable} + S_{Meter} > \frac{1}{2} S_{CT}$

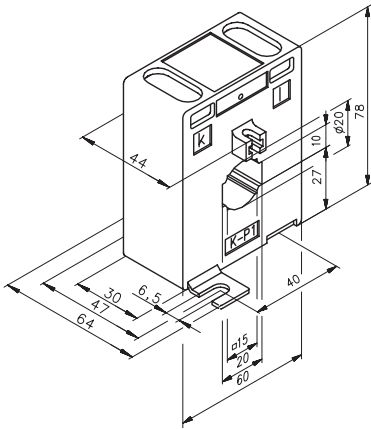
S_{CT} Rated power output of the CT (rated burden)
 S_{Cable} Power consumption of the cable connection
 S_{Meter} Power consumption of the metering device

EFEN Low voltage current transformer
Product advantages

- Compact, sturdy and economical design
- High quality material, flame resistant and self extinguishing Materials of fibreglass reinforced polycarbonate
- Excellent applicable technical specification
- Applicable ma a wide range of busbar sizes
- easy busbar mounting
- Accuracy according to IEC / EN 60044 – 1 / IEC 185 (1987)
- Complete mounting kit for busbar and baseplate included

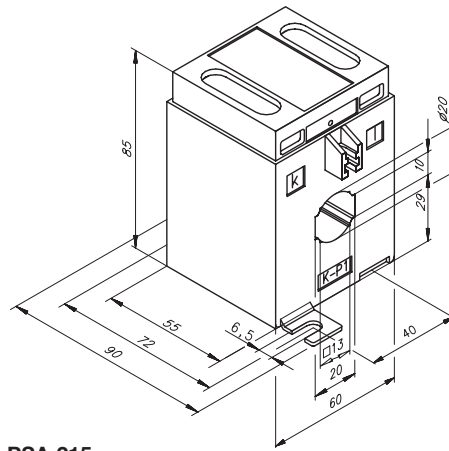
Window type current transformer

Primary current 50 A to 300 A, Mountable on busbars 20 x 10 mm and baseplate, VDE 0414 T44-1 / IEC/EN 60044-1



PSA 213

Primary busbar 20 x 10 mm
Round cable Ø max. 20 mm



PSA 215

Primary busbar 15 x 15 mm
Round cable Ø max. 20 mm

Window type current transformer

Primary current 50 A to 600 A, Mountable on busbars 30 x 10 mm and baseplate, VDE 0414 T44-1 / IEC/EN 60044-1



PSA 113

Primary busbar 30 x 10 mm

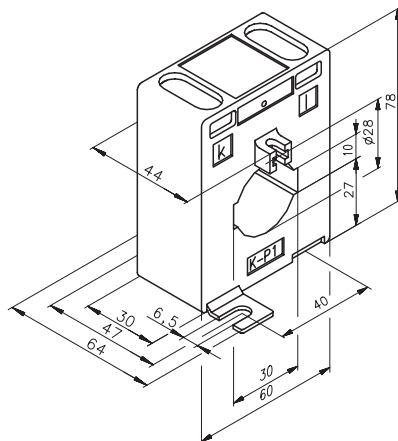


PSA 115

Primary busbar 20 x 20 mm

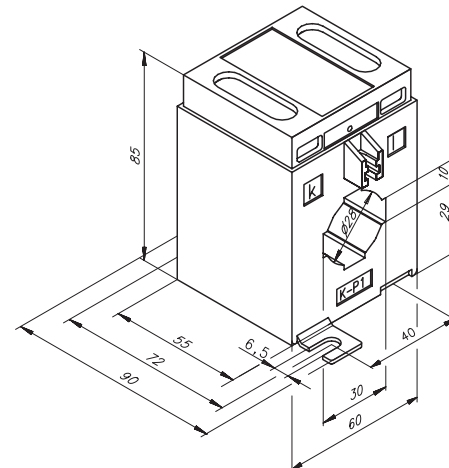
Window type current transformer

Primary current 75 A to 600 A, Mountable on busbars 30 x 10 mm and baseplate, VDE 0414 T44-1 / IEC/EN 60044-1



PSA 313

Primary busbar 30 x 10 mm
Round cable Ø max. 28 mm

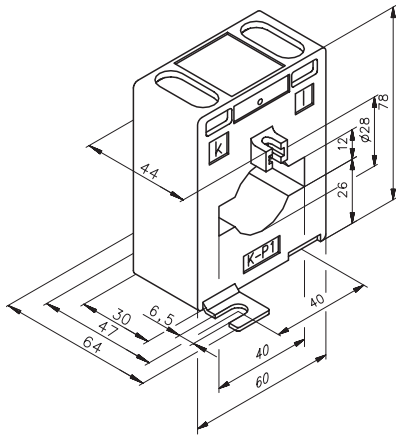


PSA 315

Primary busbar 20 x 20 mm
Round cable Ø max. 28 mm

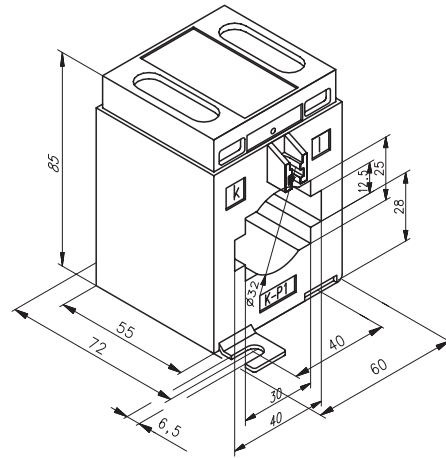
Window type current transformer

Primary current 150 A to 800 A, Mountable on busbars 40 x 12 mm and baseplate, VDE 0414 T44-1 / IEC/EN 60044-1



PSA 413

Primary busbar 40 x 12 mm
Round cable Ø max. 28 mm



PSA 415

Primary busbar 40 x 12 mm
Round cable Ø max. 32 mm

Window type current transformer

Primary current 100 A to 1250 A, Mountable on busbars 50 x 12 mm and baseplate, VDE 0414 T44-1 / IEC/EN 60044-1

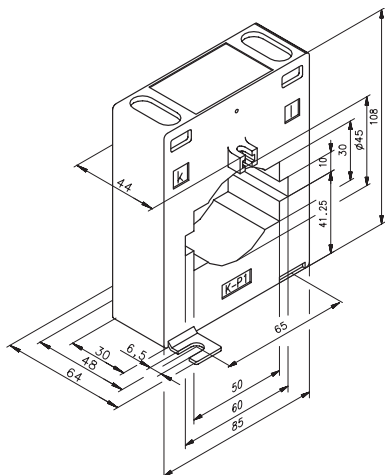


PSA 513

Primary busbar 50 x 12 mm
Round cable Ø max. 45 mm

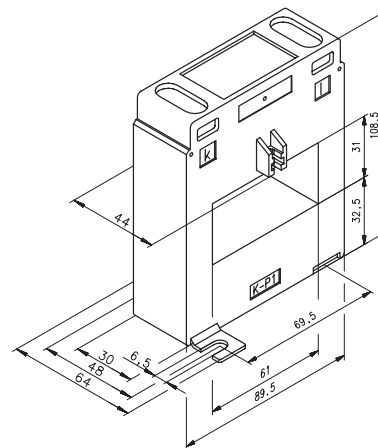
Window type current transformer

Primary current 300 A to 1600 A, Mountable on busbars 60 x 10 mm and baseplate, VDE 0414 T44-1 / IEC/EN 60044-1



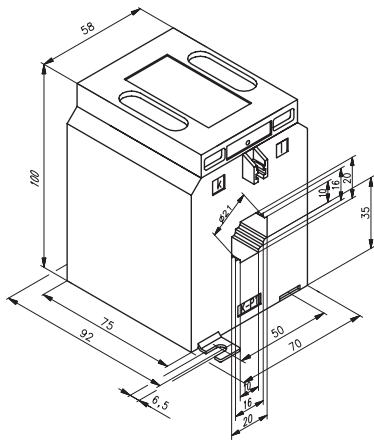
PSA 613

Primary busbar 60 x 10(15) mm;
50 x 30 mm Round cable Ø max. 45 mm

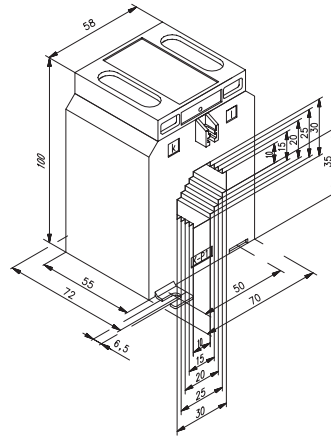


PSA 633

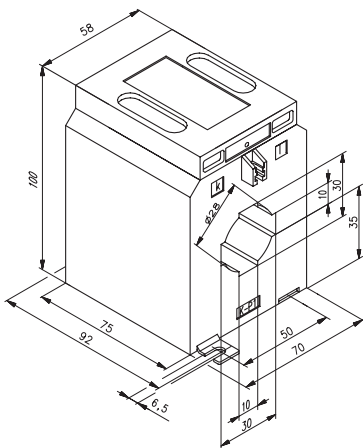
Primary busbar 60 x 30 mm



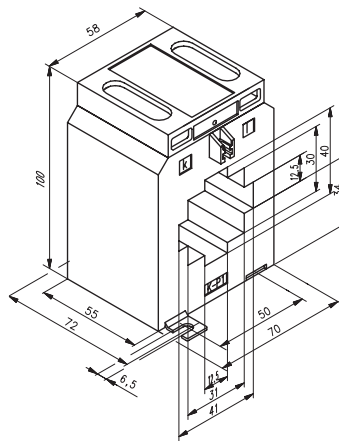
PSA 217.2
 Primary busbar 20 x 10 / 20 x 15 mm
 Round cable Ø max. 20 mm
 $I_{1N} = 30 \text{ A} - 150 \text{ A}$



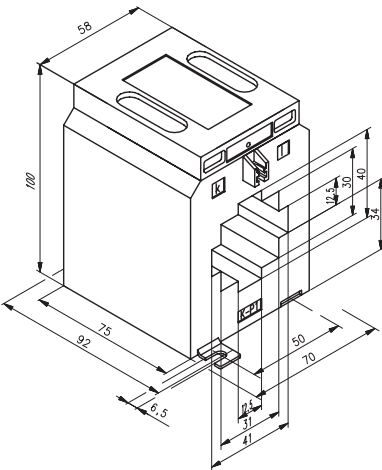
PSA 317.1
 Primary busbar 30 x 10 / 25 x 20 / 20 x 25 / 10 x 30 mm
 dimensions DIN 42 600 T2
 $I_{1N} = 50 \text{ A} - 750 \text{ A}$



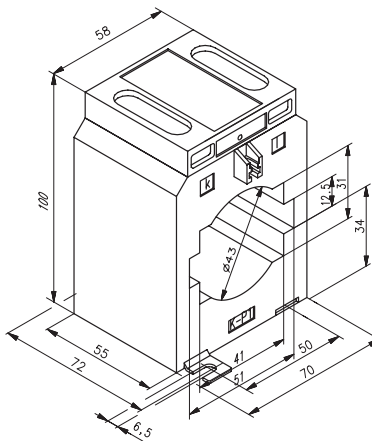
PSA 317.2
 Primary busbar 30 x 10 / 10 x 30 mm
 Round cable Ø max. 28 mm
 $I_{1N} = 50 \text{ A} - 400 \text{ A}$



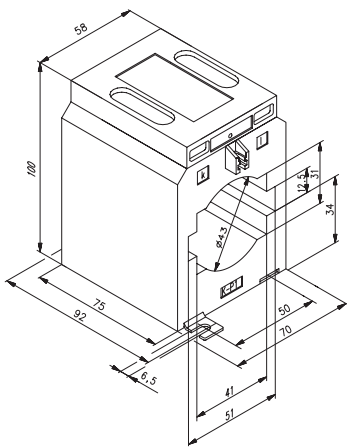
PSA 417.1
 Primary busbar 40 x 12 / 30 x 30 / 12 x 40 mm
 dimensions DIN 42 600 T2
 $I_{1N} = 75 \text{ A} - 1000 \text{ A}$



PSA 417.2
 Primary busbar 40 x 12 / 30 x 30 / 12 x 40 mm
 $I_{1N} = 75 \text{ A} - 300 \text{ A}$

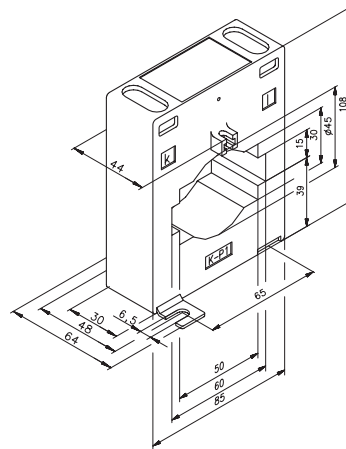


PSA 517.1
 Primary busbar 50 x 12 / 40 x 30 mm
 Round cable Ø max. 43 mm
 $I_{1N} = 200 \text{ A} - 1000 \text{ A}$



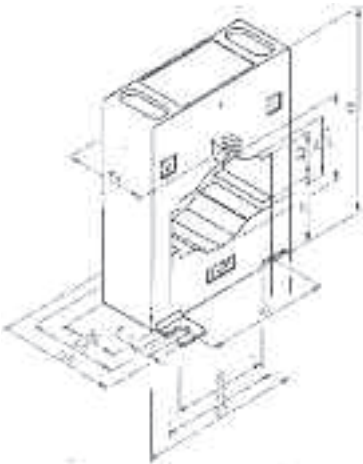
PSA 517.2

Primary busbar 50 x 12 / 40 x 30 mm
 Round cable Ø max. 43 mm
 $I_{1N} = 200 \text{ A} - 600 \text{ A}$



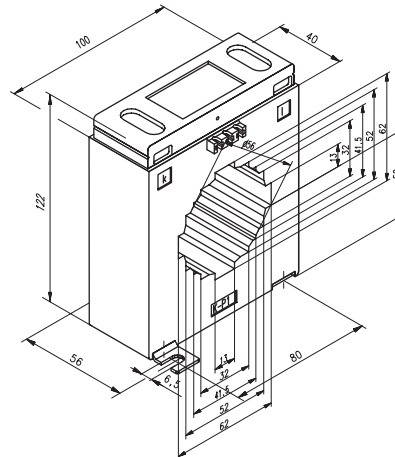
PSA 623

Primary busbar 60 x 15 / 50 x 30 mm
 Round cable Ø max. 45 mm
 $I_{1N} = 400 \text{ A} - 1600 \text{ A}$



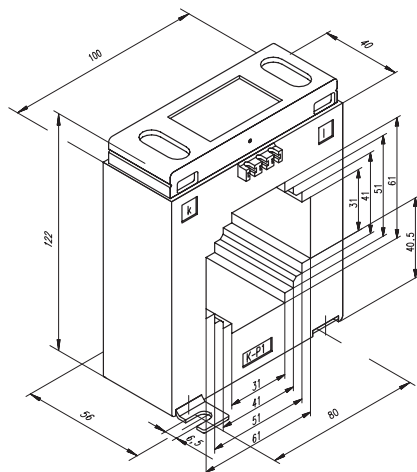
PSA 625

Primary busbar 60 x 25 mm
 $I_{1N} = 400 \text{ A} - 1600 \text{ A}$



PSA 614

Primary busbar 60 x 12 / 50 x 30 / 40 x 40 mm
 Round cable Ø max. 45 mm
 $I_{1N} = 150 \text{ A} - 1600 \text{ A}$

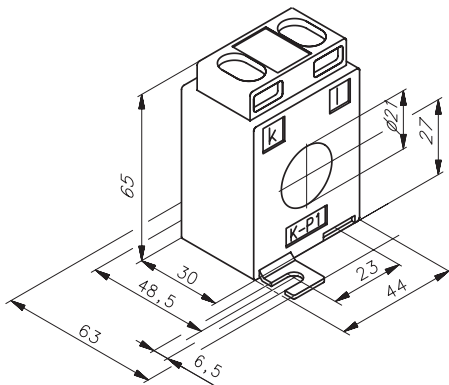


PSA 634

Primary busbar 60 x 30 / 50 x 40 / 30 x 60 mm
 Round cable Ø max. 45 mm
 $I_{1N} = 400 \text{ A} - 2000 \text{ A}$

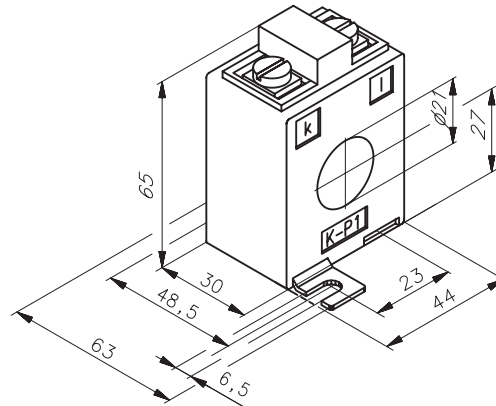
Tube type

Primary current 50 A to 300 A; VDE 0414 T44-1 / IEC/EN 60044-1



PSR 200

Round cable Ø max. 21 mm
I_{1N} = 50 A – 300 A

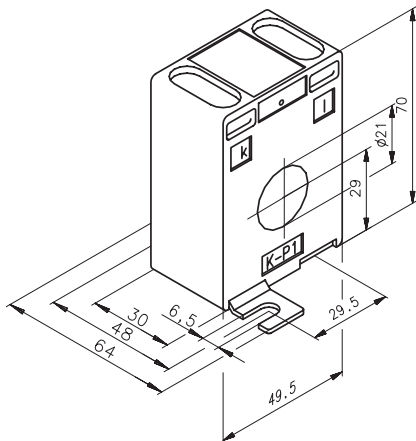


PSR 200.1

Round cable Ø max. 21 mm
I_{1N} = 50 A – 300 A

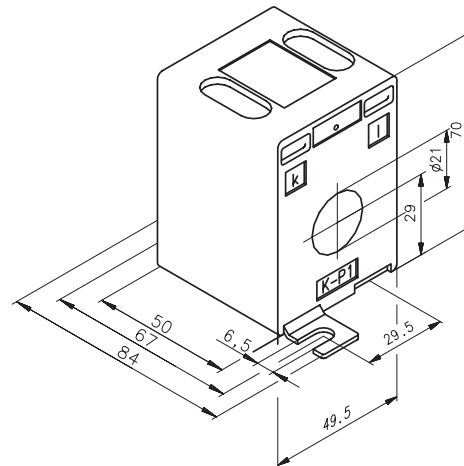
Tube type

Primary current 50 A to 300 A, VDE 0414 T44-1



PSR 203

Round cable Ø max. 21 mm
I_{1N} = 75 A – 300 A

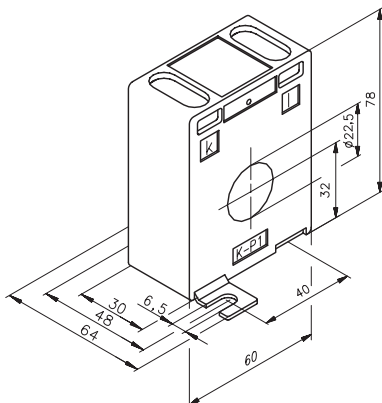


PSR 205

Round cable Ø max. 21 mm
I_{1N} = 50 A – 300 A

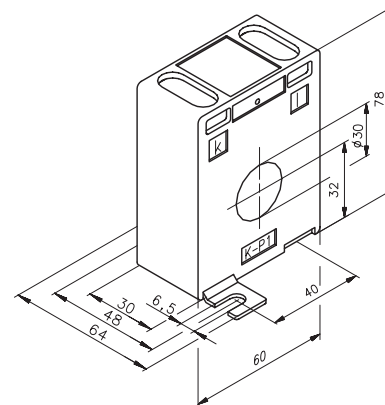
Tube type

Primary current 50 A to 600 A, VDE 0414 T44-1



PSR 253

Round cable Ø max. 22,5 mm
I_{1N} = 50 A – 600 A



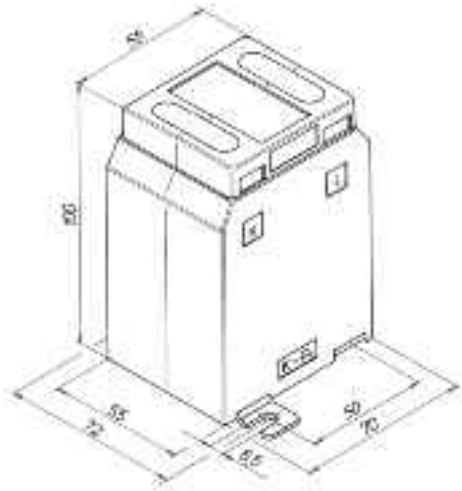
PSR253/30

Round cable Ø max. 30 mm
I_{1N} = 100 A – 600 A

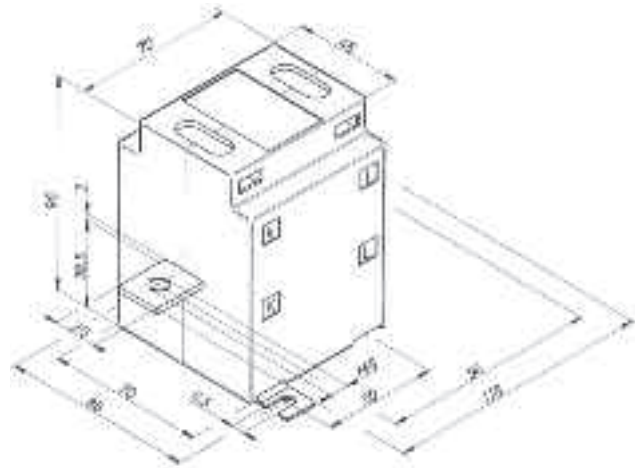
Wound Primary Current Transformers

5 – 200 A, VDE 0414 T44-1 / IEC/EN 60044-1

Using window type CTs only lower power outputs and accuracy classes can be achieved at low CT ratios. Therefore the use of primary wound CTs is recommended if higher power outputs and accuracy classes are needed in case of low CT ratios. In primary wound CTs the primary conductor is wound several times on the magnetic core of the CT.



PSW 55
I_{1N} = 5 A – 40 A



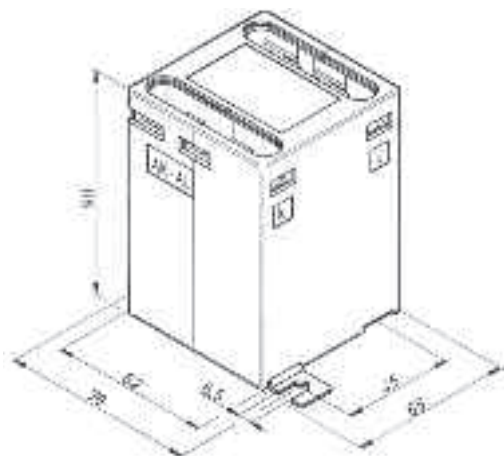
PSW 70
I_{1N} = 25 A – 200 A

Summation Current Transformers

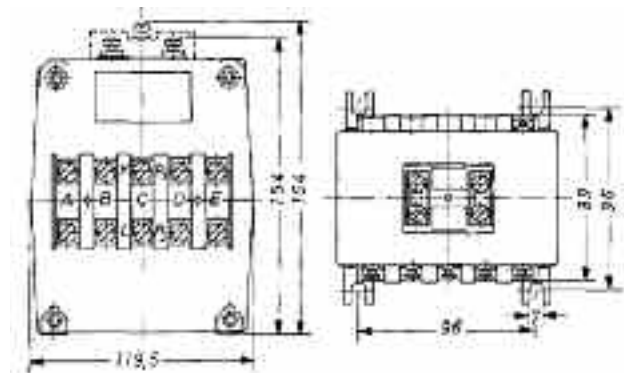
2 – 10 Circuits, VDE 0414 T44-1 / IEC/EN 60044-1

The purpose of summation CTs is the summation of signals which are for example generated by different window type CTs. In this case it is always necessary to connect the window type CTs of the same phase to the summation CT.

With EFEN summation CTs it is possible to connect up to 10 power feeders with different window type CTs to one current measurement



PSS 2
I_{1N} = 1A + 1A / 5 A + 5A



PGSU
I_{1N} = 3x5 A - 10x5A

NW

Window Type Current Transformers, PTB approved

Mountable on busbars 30 x 10/40 x 10 mm and baseplate, VDE 0414 T44-1 / IEC/EN 60044-1



EPSA 315
 Primary busbar 30 x 10 mm
 Round cable Ø max. 28 mm



EPSA 415
 Primary busbar 40 x 10 mm
 Round cable Ø max. 32 mm

Window Type Current Transformers, PTB approved

Busbar 30 x 10 mm, VDE 0414 T44-1



EPSA 317.1
 Primary busbar 30 x 10 mm



EPSA 317.2
 Primary busbar 30 x 10 mm
 Round cable Ø max. 28 mm

Window Type Current Transformers, PTB approved

Busbar 40 x 12 mm, VDE 0414 T44-1



EPSA 417.1
 Primary busbar 40 x 12 mm



EPSA 417.2
 Primary busbar 40 x 12 mm

Window Type Current Transformers, PTB approved
 Busbar 50 x 12 mm, VDE 0414 T44-1 / IEC/EN 60044-1



EPSA 517.1
 Primary busbar 50 x 12 mm
 Round cable Ø max. 43 mm



EPSA 517.2
 Primary busbar 50 x 12 mm
 Round cable Ø max. 43 mm



EPSA 514
 Primary busbar 50 x 12 mm
 Round cable Ø max. 46 mm



EPSA 614
 Primary busbar 60 x 10 mm

Window Type Current Transformers, PTB approved
 Busbar 60 x 30/80 x 10 mm, VDE 0414 T44-1



EPSA 634
 Primary busbar 60 x 30 mm



EPSA 814
 Primary busbar 80 x 10 mm
 Round cable Ø max. 60 mm



EPSA 1034
 Primary busbar 2 x 100 x 10 mm
 Round cable Ø max. 85 mm